

# MX06 – 1/4" DIGITAL FLOW METERS

SUITABLE FOR FLOW RANGE 0.13-26GPH



**MX06P-1SE**  
Stainless steel body with LCD register

Output variations:



**B - Ex approved (Ex ia)**  
Intrinsically Safe - NPN  
**N - Ex approved (Ex ia)**  
Intrinsically Safe - NAMUR  
**T - High Temp. Pulse**  
Max temp- 150°C



**F - ER**  
LCD Display (17mm)  
**G- ERA**  
LCD Display (17mm)  
**H- ERB**  
LCD Display (17mm)  
Batch controller



**D - PR**  
LCD Display (12mm)  
**E - PRA**  
LCD Display (12mm)  
with outputs



**A - Standard Pulse**  
Reel/Hall Effect  
**I - Standard Pulse**  
Reel/Reed Effect  
**J - Standard Pulse**  
Hall/Hall Effect  
**K - High Resolution**  
Hall NPN

The MX06 1/4" Digital Flow Meters are suitable for flows between 0.13-26GPH. The 1/4" Digital Flow Meters have an accuracy of +/- 0.5% and provides exceptional levels of reliability and durability.

## SPECIFICATIONS

	MX06F	MX06S	MX06P
<b>Materials of Construction</b>			
Meter Body	Aluminium (6061)	Aluminium (6061)	Stainless Steel (316)
Rotor	PPS	Stainless Steel (316)	PPS Stainless Steel (316)
Seals	Fluorocarbon (FKM)	PTFE Encapsulated (FEP)	PTFE Encapsulated (FEP)
<b>Design Specifications</b>			
Process Connections	1/4" G 1/4" NPT	1/4" G 1/4" NPT	1/4" G 1/4" NPT
<b>Technical Specifications</b>			
Flow rate	<b>&lt;5cP</b> 2-100L/hr 0.5-26USG/hr	<b>&gt;5cP</b> 0.5-100L/hr 0.13-26USG/hr	<b>&lt;5cP</b> 2-100L/hr 0.5-26USG/hr
Non-lubricating fluids	6-100L/hr 1.58-26USG/hr	6-100L/hr 1.58-26USG/hr	6-100L/hr 1.58-26USG/hr
Operating Temperature Range*	-40 - 80°C -40 - 176°F	-40 - 120°C -40 - 248°F	-40 - 80°C (150°C with high temp. rotors) -40 - 176°F (302°F with high temp. rotors)
Max. Operating Pressure	1000psi 69bar	1000psi 69bar	1000psi 69bar
Accuracy	+/- 0.5%	+/- 0.5%	+/- 0.5%
Repeatability	+/- 0.03%	+/- 0.03%	+/- 0.03%
Nominal K-Factor	3,785.41 Pulses/Gallon	3,785.41 Pulses/Gallon	3,785.41 Pulses/Gallon

\*Temperature based on standard pulse output - subject to change dependant on rotor and output type, contact Macnaught technical support for further investigations

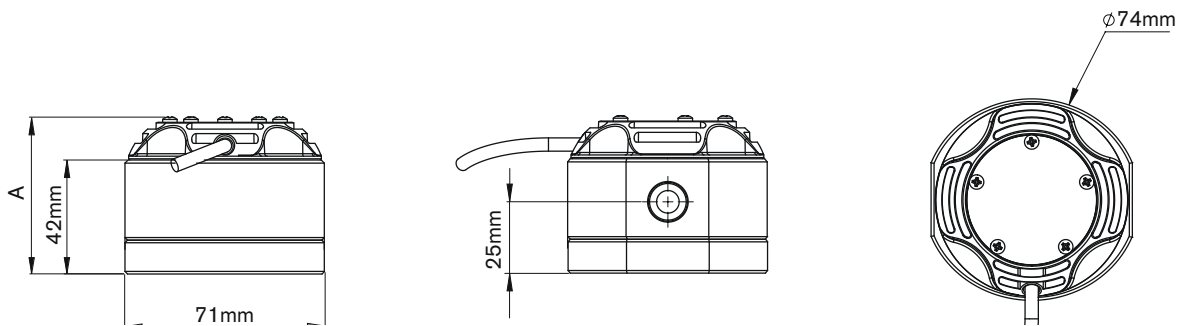
## OUTPUT TYPES

	DESCRIPTION	SWITCH TYPE	OUTPUT TYPE	MX06F	MX06S	MX06P
<b>X</b>	No Output	-	No Output	●	●	●
<b>A</b>	Standard Pulse	Reed /Hall (NPN)	Pulse (1m flying lead)	●	●	●
<b>B</b>	Ex approved (Ex ia)	Hall (NPN)	Pulse (2m DIN cable)	—	●	●
<b>D</b>	PR (LCD 12mm display)	-	Display 12mm	●	●	●
<b>E</b>	PRA (LCD 12mm display)	-	Display 12mm, 4-20mA output, Pulse	●	●	●
<b>F</b>	ER (LCD 17mm display)	-	Display 17mm	●	●	●
<b>G</b>	ERA (LCD 17mm display)	-	Display 17mm, 4-20mA output, Pulse	●	●	●
<b>H</b>	ERB (LCD 17mm display)	-	Display 17mm + Batch Control	●	●	●
<b>N</b>	Ex Approved (Ex ia NAMUR)	NAMUR	Pulse (2m DIN cable)	—	●	●
<b>T</b>	High Temp. Pulse/temperature	Hall (NPN)	Pulse	✗	S	S
<b>I</b>	Reed/Reed	Reed/Reed	Pulse (1m flying lead)	—	—	—
<b>J</b>	Hall/Hall	Hall/Hall	Pulse (1m flying lead)	—	—	—
<b>K</b>	High Resolution (omnipolar)	Hall (NPN)	Pulse (1m flying lead)	—	—	—

● Available    ✗ Not Available    S Only with stainless steel rotors    — Consult Macnaught Technical regarding availability

MX-SERIES FLOW METERS

## DIMENSIONS



PULSER AND DISPLAY HEIGHT - A

