

MX19 – 3/4" DIGITAL FLOW METERS

SUITABLE FOR FLOW RANGE 0.8-21 GPM

MX-SERIES FLOW METERS



MX19P-1SE
Stainless steel body with LCD register

Output variations:



- B - Ex approved (Ex ia)**
Intrinsically Safe - NPN
- N - Ex approved (Ex ia)**
Intrinsically Safe - NAMUR
- T - High Temp. Pulse**
Max temp- 150°C



- F - ER**
LCD Display (17mm)
- G- ERA**
LCD Display (17mm)
- H- ERB**
LCD Display (17mm)
Batch controller



- D - PR**
LCD Display (12mm)
- E - PRA**
LCD Display (12mm)
with outputs



- A - Standard Pulse**
Reel/Hall Effect
- I - Standard Pulse**
Reel/Reed Effect
- J - Standard Pulse**
Hall/Hall Effect
- K - High Resolution**
Hall NPN

The MX19 3/4" Digital Flow Meters are suitable for flows between 0.8-21 GPM. The 3/4" Digital Flow Meters have an accuracy of +/- 0.5% and provides exceptional levels of reliability and durability.

SPECIFICATIONS

	MX19F		MX19S		MX19P	
Materials of Construction Meter Body	Aluminium (6061)		Aluminium (6061)		Stainless Steel (316)	
Rotor	PPS		Stainless Steel (316)		PPS Stainless Steel (316)	
Seals	Fluorocarbon (FKM)		PTFE encapsulated (FEP)		PTFE encapsulated (FEP)	
Design Specifications Process Connections	Threaded 3/4" G 3/4" NPT		Threaded 3/4" G 3/4" NPT		Threaded 3/4" G 3/4" NPT	
Technical Specifications Flow rate	<5cP 8-70L/min 2-18.5USG/min	>5cP 3-80L/min 0.8-21USG/min	<5cP 8-70L/min 2-18.5USG/min	>5cP 3-80L/min 0.8-21USG/min	<5cP 8-70L/min 2-18.5USG/min	>5cP 3-80L/min 0.8-21USG/min
Operating Temperature Range*	-40 - 80°C -40 - 176°F		-40 - 120°C -40 - 248°F		-40 - 80°C (150°C with high temp. rotors) -40 - 176°F (302°F with high temp. rotors)	
Max. Operating Pressure	2000 psi 138 Bar		2000 psi 138 Bar		2000 psi 138 Bar	
Accuracy	+/- 0.5%		+/- 0.5%		+/- 0.5%	
Repeatability	+/- 0.03%		+/- 0.03%		+/- 0.03%	
Nominal K-Factor	196.84 Pulses/Gallon		196.84 Pulses/Gallon		196.84 Pulses/Gallon	

*Temperature based on standard pulse output - subject to change dependant on rotor and output type, contact Macnaught technical support for further investigations

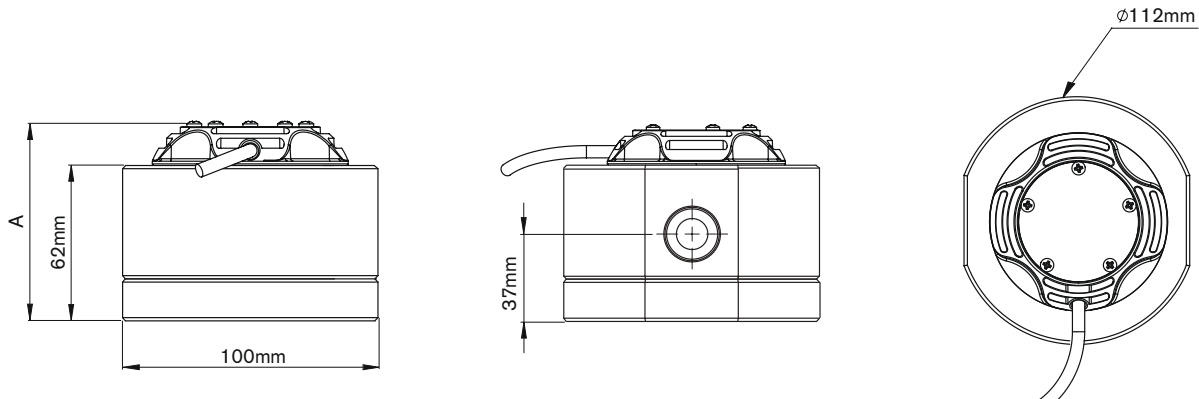
OUTPUT TYPES

	DESCRIPTION	SWITCH TYPE	OUTPUT TYPE	MX19F	MX19S	MX19P
X	No Output	-	No Output	●	●	●
A	Standard Pulse	Reed /Hall (NPN)	Pulse (1m flying lead)	●	●	●
B	Ex approved (Ex ia)	Hall (NPN)	Pulse (2m DIN cable)	—	●	●
D	PR (LCD 12mm display)	-	Display 12mm	●	●	●
E	PRA (LCD 12mm display)	-	Display 12mm, 4-20mA output, Pulse	●	●	●
F	ER (LCD 17mm display)	-	Display 17mm	●	●	●
G	ERA (LCD 17mm display)	-	Display 17mm, 4-20mA output, Pulse	●	●	●
H	ERB (LCD 17mm display)	-	Display 17mm + Batch Control	●	●	●
N	Ex Approved (Ex ia NAMUR)	NAMUR	Pulse (2m DIN cable)	—	●	●
T	High Temp. Pulse/erture	Hall (NPN)	Pulse	✗	S	S
I	Reed/Reed	Reed/Reed	Pulse (1m flying lead)	—	—	—
J	Hall/Hall	Hall/Hall	Pulse (1m flying lead)	—	—	—
K	High Resolution (omnipolar)	Hall (NPN)	Pulse (1m flying lead)	—	—	—

● Available ✗ Not Available S Only with stainless steel rotors — Consult Macnaught Technical regarding availability

MX-SERIES FLOW METERS

DIMENSIONS



PULSER AND DISPLAY HEIGHT - A

