

MX09 – 1/4" DIGITAL FLOW METERS

SUITABLE FOR FLOW RANGE 4-132 GPH



MX09P-1SE
Stainless steel body with LCD register

Output variations:



B - Ex approved (Ex ia)
Intrinsically Safe - NPN
N - Ex approved (Ex ia)
Intrinsically Safe - NAMUR
T - High Temp. Pulse
Max temp- 150°C



F - ER
LCD Display (17mm)

G- ERA
LCD Display (17mm)

H- ERB
LCD Display (17mm)
Batch controller



D - PR
LCD Display (12mm)

E - PRA
LCD Display (12mm)
with outputs



A - Standard Pulse
Reel/Hall Effect

I - Standard Pulse
Reel/Reed Effect

J - Standard Pulse
Hall/Hall Effect

K - High Resolution
Hall NPN

The MX09 1/4" Digital Flow Meters are suitable for flows between 4-132 GPH. The 1/4" Digital Flow Meters have an accuracy of +/- 0.5% and provides exceptional levels of reliability and durability.

SPECIFICATIONS

	MX09F		MX09S		MX09P	
Materials of Construction Meter Body	Aluminium (6061)		Aluminium (6061)		Stainless Steel (316)	
Rotor	PPS		Stainless Steel (316)		PPS Stainless Steel (316)	
Seals	Fluorocarbon (FKM)		PTFE encapsulated (FEP)		PTFE encapsulated (FEP)	
Design Specifications Process Connections	Threaded 1/4" G 1/4" NPT		Threaded 1/4" G 1/4" NPT		Threaded 1/4" G 1/4" NPT	
Technical Specifications Flow rate	<5cP 25-500L/hr 6.6-132USG/hr	>5cP 15-500L/hr 4-132USG/hr	<5cP 25-500L/hr 6.6-132USG/hr	>5cP 15-500L/hr 4-132USG/hr	<5cP 25-500L/hr 6.6-132USG/hr	>5cP 15-500L/hr 4-132USG/hr
Operating Temperature Range*	-40 - 80°C -40 - 176°F		-40 - 120°C -40 - 248°F		-40 - 80°C (150°C with high temp. rotors) -40 - 176°F (302°F with high temp. rotors)	
Max. Operating Pressure	1000psi 69bar		1000psi 69bar		1000psi 69bar	
Accuracy	+/- 0.5%		+/- 0.5%		+/- 0.5%	
Repeatability	+/- 0.03%		+/- 0.03%		+/- 0.03%	
Nominal K-Factor	1,514.16 Pulses/Gallon		1,514.16 Pulses/Gallon		1,514.16 Pulses/Gallon	

*Temperature based on standard pulse output - subject to change dependant on rotor and output type, contact Macnaught technical support for further investigations

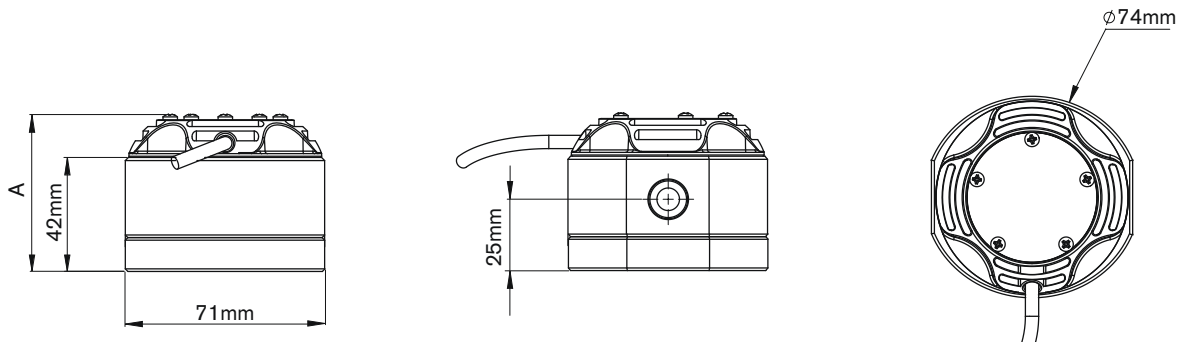
OUTPUT TYPES

	DESCRIPTION	SWITCH TYPE	OUTPUT TYPE	MX09F	MX09S	MX09P
X	No Output	-	No Output	●	●	●
A	Standard Pulse	Reed /Hall (NPN)	Pulse (1m flying lead)	●	●	●
B	Ex approved (Ex ia)	Hall (NPN)	Pulse (2m DIN cable)	—	●	●
D	PR (LCD 12mm display)	-	Display 12mm	●	●	●
E	PRA (LCD 12mm display)	-	Display 12mm, 4-20mA output, Pulse	●	●	●
F	ER (LCD 17mm display)	-	Display 17mm	●	●	●
G	ERA (LCD 17mm display)	-	Display 17mm, 4-20mA output, Pulse	●	●	●
H	ERB (LCD 17mm display)	-	Display 17mm + Batch Control	●	●	●
N	Ex Approved (Ex ia NAMUR)	NAMUR	Pulse (2m DIN cable)	—	●	●
T	High Temp. Pulseerature	Hall (NPN)	Pulse	✗	S	S
I	Reed/Reed	Reed/Reed	Pulse (1m flying lead)	—	—	—
J	Hall/Hall	Hall/Hall	Pulse (1m flying lead)	—	—	—
K	High Resolution (omnipolar)	Hall (NPN)	Pulse (1m flying lead)	—	—	—

● Available ✗ Not Available S Only with stainless steel rotors — Consult Macnaught Technical regarding availability

MX-SERIES FLOW METERS

DIMENSIONS



PULSER AND DISPLAY HEIGHT - A

OUTPUT A OUTPUT B OUTPUT N OUTPUT T OUTPUT D,E OUTPUT F,G,H
 PULSER - Standard PULSER - Exia PULSER - Exia PULSER - High Temp. DISPLAY - LCD 12mm DISPLAY - LCD 17mm

