

# MX50 – 2” DIGITAL FLOW METERS

SUITABLE FOR FLOW RANGE 4-130 GPM

MX-SERIES FLOW METERS



**MX50P-1SE**  
Stainless steel body with LCD register

Output variations:



**B - Ex approved (Ex ia)**  
Intrinsically Safe - NPN  
**N - Ex approved (Ex ia)**  
Intrinsically Safe - NAMUR  
**T - High Temp. Pulse**  
Max temp- 150°C



**F - ER**  
LCD Display (17mm)  
**G- ERA**  
LCD Display (17mm)  
**H- ERB**  
LCD Display (17mm)  
Batch controller



**D - PR**  
LCD Display (12mm)  
**E - PRA**  
LCD Display (12mm)  
with outputs



**A - Standard Pulse**  
Reel/Hall Effect  
**I - Standard Pulse**  
Reel/Reed Effect  
**J - Standard Pulse**  
Hall/Hall Effect  
**K - High Resolution**  
Hall NPN

The MX50 2” Digital Flow Meters are suitable for flows between 4-130 GPM. The 2” Digital Flow Meters have an accuracy of +/- 0.5% and provides exceptional levels of reliability and durability.

## SPECIFICATIONS

	MX50F		MX50S		MX50P	
<b>Materials of Construction</b> Meter Body	Aluminium (6061)		Aluminium (6061)		Stainless Steel (316)	
	Rotor		Aluminium (6061)		PPS Stainless Steel (316)	
	Seals		PTFE encapsulated (FEP)		PTFE encapsulated (FEP)	
<b>Design Specifications</b> Process Connections	<b>Threaded</b>	<b>Flange</b>	<b>Threaded</b>	<b>Flange</b>	<b>Threaded</b>	<b>Flange</b>
	2” G 2” NPT	ANSI CLASS 150 DIN PN16 JIS 10k	2” G 2” NPT	ANSI CLASS 150 DIN PN16 JIS 10k	2” G 2” NPT	ANSI CLASS 150 DIN PN16 JIS 10k
<b>Technical Specifications</b> Flow rate	<b>&lt;5cP</b>	<b>&gt;5cP</b>	<b>&lt;5cP</b>	<b>&gt;5cP</b>	<b>&lt;5cP</b>	<b>&gt;5cP</b>
	15-500L/min 4-130 USG/min	15-500L/min 4-130 USG/min	15-500L/min 4-130 USG/min	15-500L/min 4-130 USG/min	15-500L/min 4-130 USG/min	15-500L/min 4-130 USG/min
Operating Temperature Range*	-40 - 80°C -40 - 176°F		-40 - 120°C -40 - 248°F		-40 - 80°C (150°C with high temp. rotors) -40 - 176°F (302°F with high temp. rotors)	
Max. Operating Pressure**	1200 psi 82 Bar		1200 psi 82 Bar		1200 psi 82 Bar	
Accuracy	+/- 0.5%		+/- 0.5%		+/- 0.5%	
Repeatability	+/- 0.03%		+/- 0.03%		+/- 0.03%	
Nominal K-Factor	25.29 Pulses/Gallon		25.29 Pulses/Gallon		25.29 Pulses/Gallon	

\*Temperature based on standard pulse output - subject to change dependant on rotor and output type, contact Macnaught technical support for further investigations

\*\* Pressure rating subject to change as per flange rating

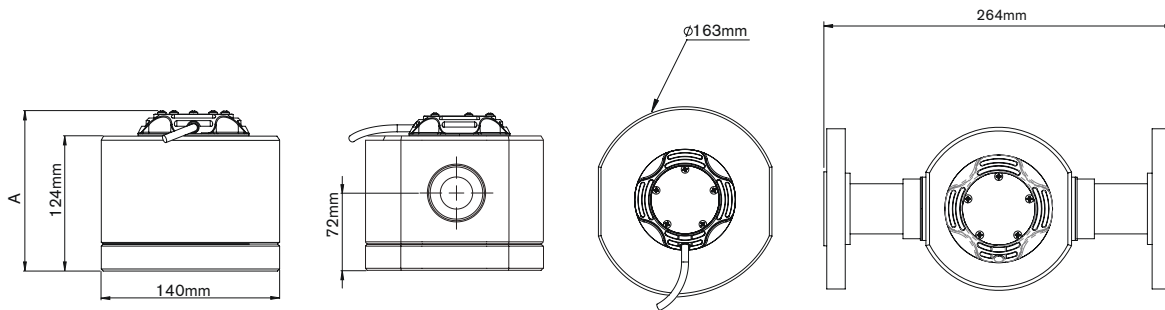
## OUTPUT TYPES

	DESCRIPTION	SWITCH TYPE	OUTPUT TYPE	MX50F	MX50S	MX50P
X	No Output	-	No Output	●	●	●
A	Standard Pulse	Reed /Hall (NPN)	Pulse (1m flying lead)	●	●	●
B	Ex approved (Ex ia)	Hall (NPN)	Pulse (2m DIN cable)	—	●	●
D	PR (LCD 12mm display)	-	Display 12mm	●	●	●
E	PRA (LCD 12mm display)	-	Display 12mm, 4-20mA output, Pulse	●	●	●
F	ER (LCD 17mm display)	-	Display 17mm	●	●	●
G	ERA (LCD 17mm display)	-	Display 17mm, 4-20mA output, Pulse	●	●	●
H	ERB (LCD 17mm display)	-	Display 17mm + Batch Control	●	●	●
N	Ex Approved (Ex ia NAMUR)	NAMUR	Pulse (2m DIN cable)	—	●	●
T	High Temp. Pulse/erture	Hall (NPN)	Pulse	✗	S	S
I	Reed/Reed	Reed/Reed	Pulse (1m flying lead)	—	—	—
J	Hall/Hall	Hall/Hall	Pulse (1m flying lead)	—	—	—
K	High Resolution (omnipolar)	Hall (NPN)	Pulse (1m flying lead)	—	—	—

● Available    ✗ Not Available    S Only with stainless steel rotors    — Consult Macnaught Technical regarding availability

MX-SERIES FLOW METERS

## DIMENSIONS



PULSER AND DISPLAY HEIGHT - A

