

# flow~mon

...simple flow solutions in a complicated world

## Large Series Technical Specifications

### Function;

A scaled dial and mechanical indicator continuously monitor the flow rate at any given time whilst electrical switches can be specified to signal when a particular level has been reached during increasing or decreasing flow rates.

3"	0-1500 LPM
4"	0-2000 LPM
6"	0-3500 LPM
8"	0-5000 LPM

### Style;

Through its unique modular design it allows for easy field installation and service. It does not require any straight pipe runs before or after the monitor thus minimizing the installation footprint. The versatile design of the vane monitor allows for orientation to be mounted in any position. Vane style monitor operates when flow is introduced through the inlet connection making direct contact with the vane that is mechanically linked to the indicator shaft. The fluid forces the vane to move through a contoured opening creating a variable orifice, the greater the flow the larger the orifice becomes for flow to pass. The vane style monitor is spring loaded and allows the vane to return on decreasing flows.

### Switches;

Are field adjustable, suitable for batching, trending, totalising or recording where required. All Flow-Mon units can be supplied with a 0-10v or 4-20mA output.

### Sizes;

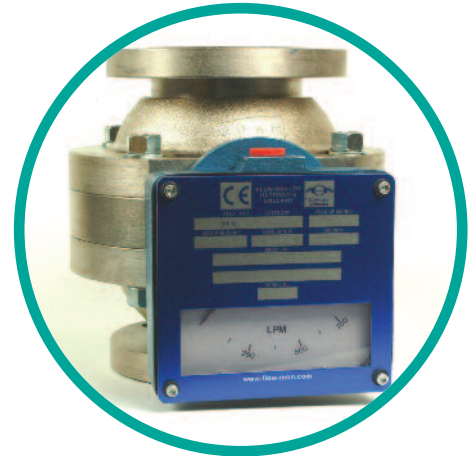
All sizes are manufactured to the same simple design concept, the main characteristic of which ensures that the pressure drops are confined to an absolute minimum (see "pressure drop" charts) across the vane orifice at full flow, with viscosities as high as 600cS. Sizes are defined by pipe size and/or maximum flow capacity, and every flow switch is individually calibrated so that full scale deflection is used in each application i.e. the maximum scale reading coincides with the maximum requirements of system as specified by the customer. Calibration may be in any units with Single or Dual scale to specification.

### Applications;

Water, De-Ionised Water, Soluble Oils (Glycols), Petroleum Based Fluids, Synthetic Based Fluids, Coolants, Corrosive Fluids, Paints, Solvents, Air & Gases

### Comparison;

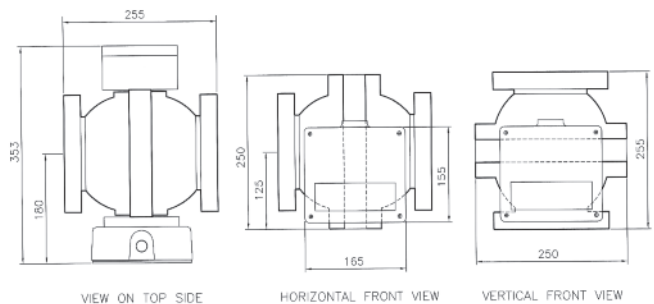
Comparable to similar style devices in the industry, Flow-Mon's "flow through" design offers a low pressure loss. To ensure accuracy they are individually calibrated in any unit of measure to customer operating specifications.



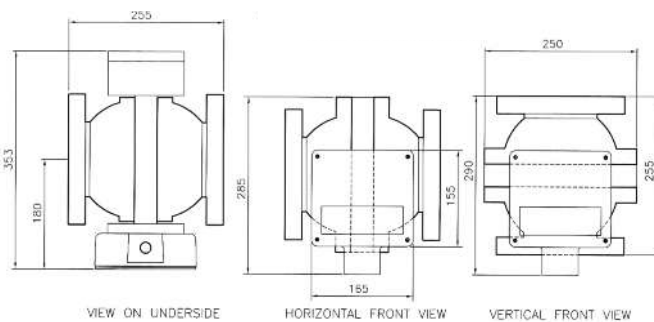
Screwed Unit

### Dimensions;

#### Standard Aluminium Enclosure Box 3"



#### Explosion Proof Enclosure Box 3"





### SERIES AND FLOW RATE

FMC\* = Low Flow  
 FML\* = Litres / Min  
 FMB\* = Imp. Gallons / Min  
 FMG\* = U.S. Gallons / Min  
 FMM\* = M3/ Hour  
 \*Add Full Flow Rate in Units

### MATERIAL OF MANUFACTURE

AL = Aluminum  
 B = Bronze  
 CI = Cast Iron  
 CIK = Cast Iron Nickel Plated  
 S = Carbon Steel  
 SS = Stainless Steel  
 PTFE = PTFE  
 PVC = PVC

\*Only available up to 4" Port Connections and 100 psi / 7 bar maximum pressure.  
 Note: For materials and pressures not specified, please consult factory.

### PRESSURE RATING

LP = 300 psi / 20 bar maximum  
 MP = 750 psi / 50 bar maximum  
 HP = 3000 psi / 200 bar maximum  
 \*CI, CIK, S & SS only

### INDICATOR READ OUT

ME = Mechanical Pointer only  
 3EE = SPDT 3 Wire Switch  
 4EE = SPDT Double-break 4 wire switch  
 6EE = DPDT 6 Wire switch  
 3EEG = SPDT 3 Wire Switch with Gold Contacts  
 3EE(ATEX2) = SPDT Explosion Proof Micro Switch to ATEX zone 2  
 3EE(ATEX1) = SPDT Explosion Proof Switch to ATEX zone 1  
 6EE(ATEX1) = DPDT Explosion Proof Switch to ATEX zone 1  
 AIR = Pneumatic Switch  
 POT = Potentiometer (Specify Rating)  
 OUT = 4-20 mA Output  
 TOT = Digital Rate Totaliser  
 TOTX = Digital Rate Totaliser (ATEX)

Note 1: All electrical boxes (apart from TOT & TOTX) also carry a Mechanical Pointer

Note 2: For 4 & 6 Wire Switches replace 3EE by 4EE or 6EE

Note 3: Manufactured to IP65 (NEMA 4) as standard (up to 21/2")

### ELECTRICAL OPTIONS

**CODE: 3EE**  
 Basic single pole, double throw, 3 wire switch.  
 15 Amp - 125, 250 or 480V.AC  
 0.5 Amp - 125V.DC / 0.25 Amp - 250V.DC

**CODE: 4EE**  
 Contact arrangements is single-pole, double throw, double-break. 10 Amp - 125 or 250V.AC  
 0.3 Amp - 125V.DC / 0.15 Amp - 250V.DC

**CODE: 6EE**  
 Double-pole, double throw switches simultaneously make and break two independent circuits.  
 10 Amp - 125 or 250V.AC  
 0.3 Amp - 125V.DC / 0.15 Amp - 250V.DC

### CODE: AIR

This system offers an alternative safety arrangement for operation in explosive atmospheres. Compressed air can be used to transmit an on / off signal from the danger area, or to operate a klaxon inside the danger area.

### CODE: POT

Remote read-out option (0-10V). Rating to customer's specification, e.g. 1K, 2K etc.

### CODE: OUT

A transducer can be connected to the potentiometer to give the required 4-20 mA readout. Data Loggers or Recorders can be added to the system.

The 3 and 6 wire switches described above are available in ATEX approved explosion proof versions, with the appropriate enclosure box. When two or more switches are assembled in one unit, they remain independently adjustable. Re-adjustments may be carried out in the field.

### FLOW DIRECTIONS

D1 = → D2 = ←  
 D3 = ↑ D4 = ↓

### 'O' RING SEAL MATERIAL

S1 = Buna (-40°C +110°C)  
 S2 = EPDM (-40°C +150°C)  
 S3 = Viton (-20°C +200°C)  
 S4 = PTFE (-100°C +250°C)  
 S5 = Perlast (-15°C +330°C)

### PORT CONNECTIONS

2 = 1/4"  
 4 = 1/2"  
 6 = 3/4"  
 8 = 1"  
 10 = 1 1/4"  
 12 = 1 1/2"  
 16 = 2"

Sizes 1/4" - 2" are Screwed or Flanged.  
 For Flanged Bodies, add relevant code letters (shown below).

20 = 2 1/2"  
 24 = 3"  
 32 = 4"  
 48 = 6"  
 64 = 8"

Sizes 2 1/2" - 8". Standard units have Flanged Bodies - add relevant code letters (shown below).  
 Cast Iron and Steel mating flanges are available:  
 For Screwed, add - S  
 For Socket Weld, add - SW

Standard Threads are BSP, for NPT add - N  
 For Flanged Connections add one of the following codes:

F10 } Alternative Pressure Ratings in BS4504 / DIN2632-5  
 F16 }  
 F25 }  
 F40 }

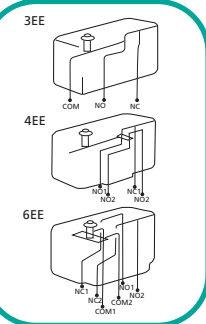
F150 } Alternative Pressure Ratings in BS1560 / ANSI B16.5  
 F300 }  
 F600 }

FAD } Alternative Pressure Ratings in BS10  
 FE }  
 FF }

For special wafer connections, please enquire at factory.

### VISCOSITY AT OPERATING TEMPERATURE

State units and scale  
 eg. Water is 1 Centistoke (cS)  
 Maximum rating should not exceed 600cS



## Air & Gas Applications

Flow-Mon flow switches can be used to measure gas flows in exactly the same way as liquid flows. When enquiring for such an application the following information will be required:

- Specific gravity of the gas
- Maximum flow volume
- Operating temperature
- Operating pressure

# Large Series

## Installation and Maintenance Instructions

### Installation Instructions;

The flow indicators are in-line devices. Mounting can be in any position, and no straight length of pipe is required before or after the unit. The unit is sandwiched between two flanges.

Under the Pressure Equipment Directive (PED) these products are Pressure Accessories, and are not approved for use as safety Accessories, as defined by the PED. If used for safety purposes, it is the responsibility of the user/installer to assess the suitability of the product in the pressure equipment or system in which it is used.

#### It is the responsibility of the user/installer of this equipment to ensure;-

1. The product is installed and used by suitably trained personnel in accordance with all relevant Local and National regulations and codes.
2. Safe working practices for the media & processes concerned are followed during installation & maintenance.
3. The materials of construction are suitable for the application.
4. The product is protected from fire.
5. The product is protected from impact/vibration.
6. The instrument is only cleaned by washing with detergent, do not use abrasive cleaners or solvents.
7. For outdoor use in exposed positions the instrument must be additionally protected/shielded from heavy rainfall.
8. Regular inspection for corrosion/erosion and wear are carried out.

### Essential Safety Requirements;

1. The instrument must be installed in accordance with the instructions provided.
2. Prior to installation ensure pipelines are flushed/drained to ensure they are free from any solid particles or pressure.
3. Care must be taken to avoid introducing torsional stress on the instrument when installing into the pipeline. Tighten sufficiently to avoid leaks & check at regular intervals during maintenance.
4. Ensure pipelines are fully primed before commencing normal use.
5. Valves must be opened or closed gradually to avoid shock/vibration.
6. Do not exceed maximum working pressure as stated on the label.
7. Only use with the fluid/gas stated on the label.
8. Do not exceed minimum/maximum working temperature as stated.
9. Do Not Use instrument if any part of the cable appears to be damaged.
10. Isolate instrument before removing cover.

### General Maintenance;

1. Remove instrument from pipeline.
2. Remove from flanges (keep enclosure box and spring housing intact)
3. Check for and remove any swarf/foreign body, clean if necessary.
4. Remove faceplate and window
5. Check pointer is still firmly secured
6. Push open the valve plate, (depending on flow rate tension may be high), the valve plate will spring back to 0 when released. Repeat a few times at different points along the scale.
7. Listen/watch the switch to make sure it is activated at desired min/max flow as the valve plate is pushed open. (Adjust cam if necessary)
8. DO NOT remove or adjust springs as this will affect the calibration of the instrument.
9. Re-assemble instrument, ensure "O" rings are properly located in grooves and have been undamaged.

### Switch Setting;

The cam which operates the microswitch is situated on the spindle behind the pointer and can be adjusted to give an alarm anywhere between zero and max, flow. To alter the setting, lift the cam and rotate the cam in the direction required until switch point is located, then gently lower cam in that position.

#### Enclosure box rotation instructions-change of flow direction

**Tools required:** Screw driver, Allen wrench set, 5/16 nut driver

- 1.) Remove 4 screws from nameplate. - 5/16 Nut Driver
- 2.) Remove Name Plate and Window
- 3.) Remove Calibrated Scale.
- 4.) Remove Electrical Switch - Screw Driver (if monitor does not have switch(es) go to #5.)
- 5.) Remove all 4 Allen Screws (5/32 or 4mm Allen Wrench) at base of enclosure and rotate enclosure box to the desired position
- 6.) Place 4 Allen Screws back into required tapped and tighten control box to meter body.
- 7.) Loosen Indicator Pointer  
**NOTE:** if monitor does not have switch(es) skip to #11)
- 8.) "Slightly" Loosen Cam Set Screw just enough to move cam on dial. **(DO NOT LOOSEN DIAL SET SCREW LOCATED BELOW THE CAM)**. This will make easier to tighten once switch contact point is set.) -1/8 (3.175mm)Allen Wrench
- 9.) Place Switch back into enclosure box and tighten until snug - **DO NOT OVER TIGHTEN**  
**NOTE:** Switch should be wired prior to re-installation
- 10.) Rotate Cam to desired Set Point and tighten Allen Screw/Replace Compression Spring until snug. Cam will press against switch roller arm to actuate switch.
- 11.) Place Calibrate Scale and tighten back in position.  
**- DO NOT OVER TIGHTEN**
- 12.) Move Pointer to zero position on calibrated scale and tighten
- 13.) Place Window then nameplate back on enclosure box and tighten Allen Screws.

**Estimated time to rotate control box: 10 to 15 minutes.**

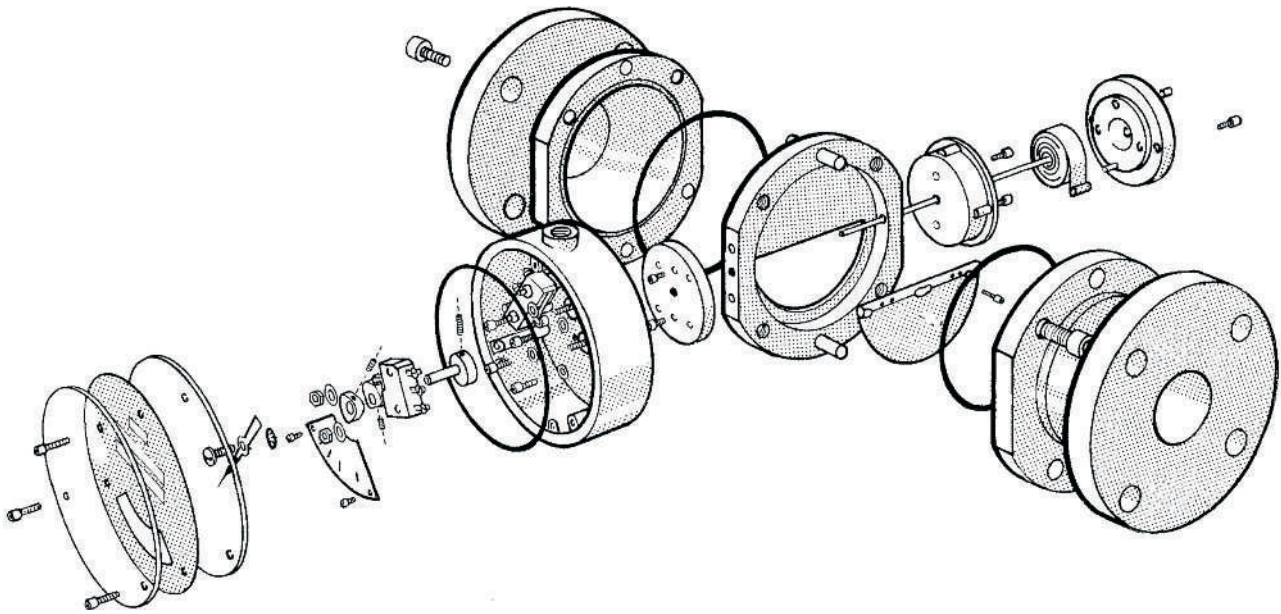
### Troubleshooting;

1. In the event of a pointer appearing to stick in one position, remove centre housing and clean away pipe scale to ensure that valve plate is free to return to its seating position. (A spacer can be provided so that the flow can pass through whilst maintenance is being carried out)
2. If the pointer 'trembles' allow flow to continue. 'Trembling' is usually air entrapment, and this will be eliminated when the system becomes full.
3. At regular intervals the control valve to the circuit should be closed for one second and then opened to ensure that no large foreign body is holding the vane in one position. The indicator should drop to zero when closing the valve, and then when the valve is opened again return to the running flow point. When carrying out the procedure in 3. the indicator will immediately return to a position a little less than the running flow position and slowly return to the correct reading. This is due to the hysteresis of the 'O' rings and spring.

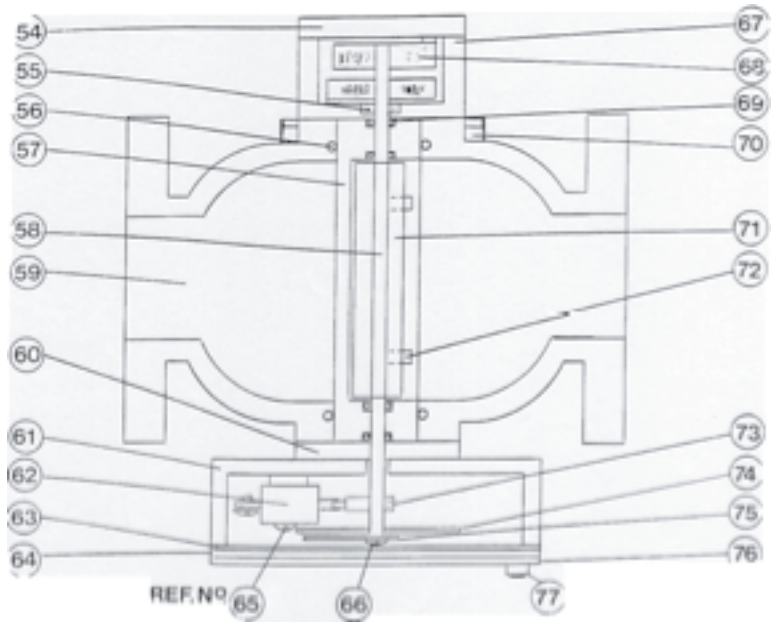
# Large Series Spares Data

When ordering spares, please give reference number followed by quantity required.

All orders should be accompanied by a model number and a serial number of the Flow switch!



Item No.	Description
54.	Spring Cover
55.	Bearing
56.	O-Ring
	• S1, S2, S3, S4
57.	Centre Housing
	• AL, B, CI, CIK, S, SS, PVC
58.	Spindle
59.	Flange
60.	Mounting Disc
61.	Enclosure Box
62.	Switch
	3EE, 3EEG, 4EE, 6EE, 3EE(ATEX3), 3EE(ATEX2), 6EE(ATEX2), AIR, POT, OUT, DIG, TOT
63.	Gasket
64.	Window
65.	Screw
66.	Screw
67.	Spring Housing
68.	Spring
69.	O-Ring
	• S1, S2, S3, S4
70.	Stud and Nuts
71.	Valve Plate
72.	Screw
73.	Cam
74.	Dial Plate
75.	Pointer
76.	Face Plate
77.	Screw



Spares Kit	
Item No.	Qty
62	1-off
64	1-off
56	4-off
77	4-off
63	1-off
65	2-off
69	2-off



CE PED, ATEX & LVD Approved



certificate number: 16168