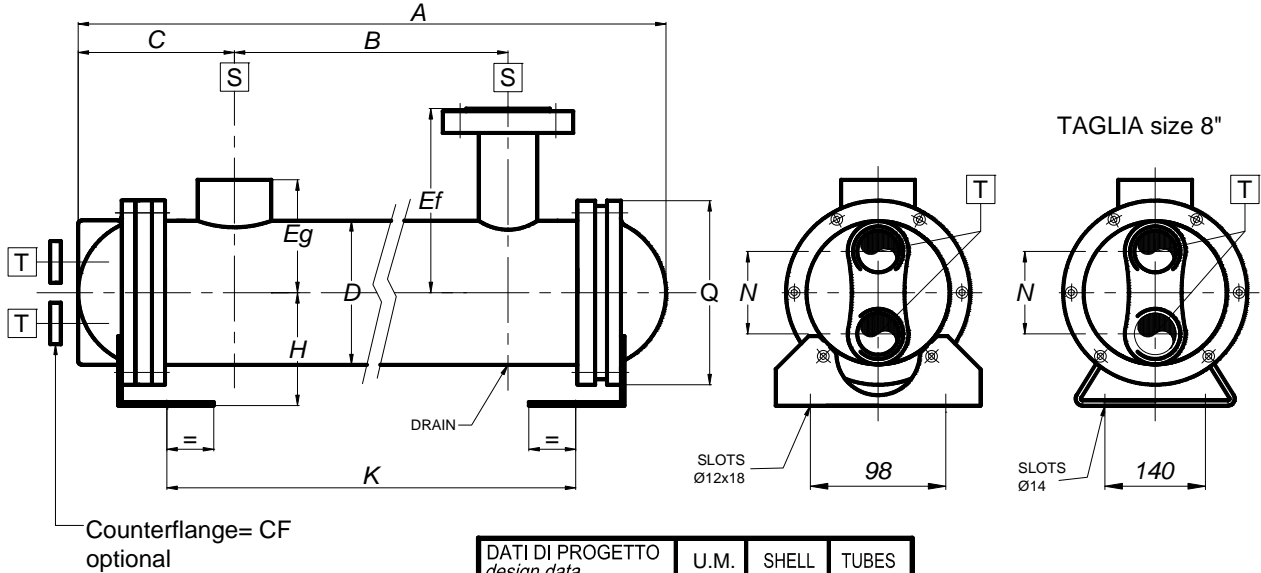


WE

FASCIO ESTRAIBILE
TUBI DIRITTI – TIPO BEW o AEW
Removable bundle
straight tube - Type BEW or AEW



Counterflange= CF optional

DATI DI PROGETTO <i>design data</i>	U.M.	SHELL	TUBES
TEMP. PROGETTO <i>design temperat.</i>	°C	99	99
PRESS. PROGETTO <i>design pressure</i>	Bar G	10	10
PRESSIONE PROVA <i>test pressure</i>	Bar G	13	13

VERNICIATO - Painting = RAL 5012

TAGLIA size	A	B	C	D	H	K±3	Q	Eg	CONNESSIONI LATO CORPO <i>connections shell side</i>				CONNESSIONI LATO TUBI <i>connections tube side</i>				
									ØS (GAS) Type		Ef	ØS (FL.) Type		N	ØT GAS		TUBE bundle
									A	B		A	B		GAS	CF	
5012	450	195	140	140	105	305	180	105	1½"	2" (*)	155	DN40	DN50	76	1½"	-	355
5020	705	445				560											610
5030	1010	750				865											915
5040	1315	1055				1170											1220
6020	740	430	160	168	125	573	210	120	2"	2"	170	DN50	DN65	86	2"	1½"	610
6030	1045	735				878											915
6040	1350	1040				1183											1220
6050	1655	1345				1488											1525
8030	1080	700	200	219	180	600	265	150	3"	3"	200	DN65	DN80	130	3"	2"	915
8040	1385	1005				800											1220
8050	1690	1310				1000											1525
8060	1995	1615				1200											1830

(*) Con connessione "Type B" – interasse bocche = B-15 mm
 With shellside port "Type B" – dimension = B – 15 mm