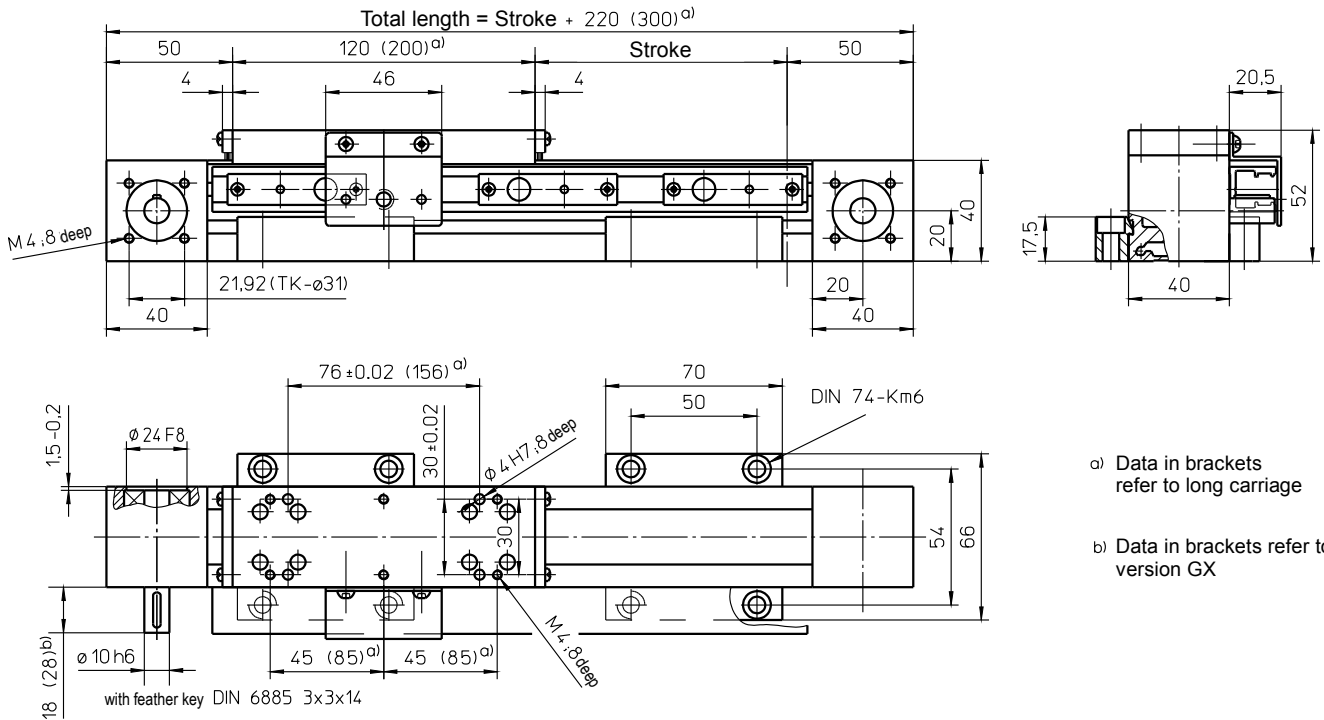


with toothed belt drive and sliding guide (ZGS) or rail guide (ZSS)

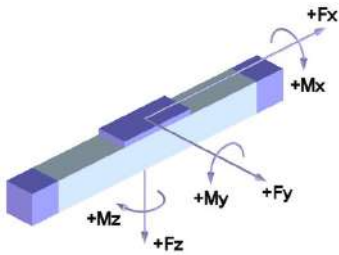


a) Data in brackets refer to long carriage
b) Data in brackets refer to version GX

Weights	ZGS	ZSS
Basic length without stroke:	1.50 kg	1.70 kg
100 mm stroke:	0.20 kg	0.30 kg
Entire carriage 120 mm:	0.30 kg	
Entire carriage 200 mm:	0.50 kg	
Max. total length:	3000 mm	2070 mm

Technical Data	ZGS	ZSS
Max. speed:	1.00 m/s	3.00 m/s
Max. acceleration:	20 m/s ²	30 m/s ²
Repeat accuracy:	± 0.08 mm	
Idle torque:	0.30 Nm	
Moment of inertia:	2.00 · 10 ⁻⁴ kgm ²	
Drive element:	Toothed belt 16 AT5-E	
Stroke per revolution:	100 mm	

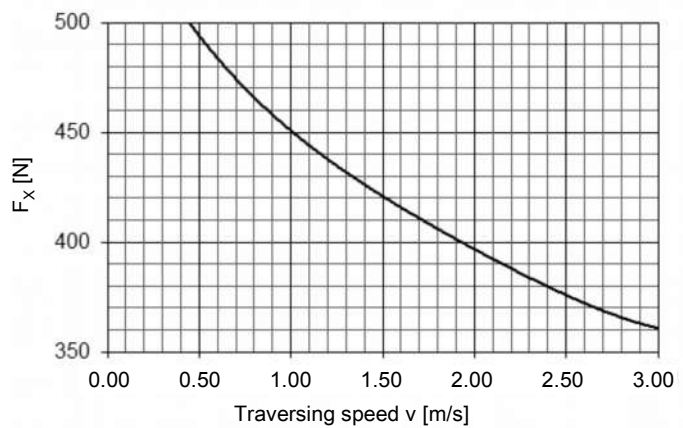
Forces and moments



	ZGS	ZSS
Forces	Dynamic [N]	
F _x ^{d)}	500	
F _y	80	500
F _z	150	600
-F _z	75	300
Moments	Dynamic [Nm]	
M _x	6	12
M _y	6	30 (50)
M _z	8	30 (50)

^{d)} Maximum value (see diagram "F_x-v-Diagram")
Data in brackets refer to long carriage (200)

F_x - v - Diagram



>> **Note** << Drive shaft is not changeable
Please define position, e.g. "AZ1"! (See Ordering Code)