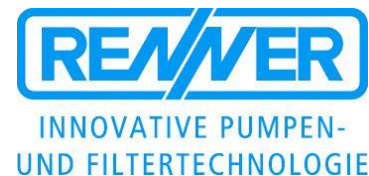


DATASHEET

Magnetically coupled pump

RM2 – 8/60

Motor output
180W ; 250W 1-ph. and 3-ph.
2900 or 3450 rpm [2-pol.]




Magnetically coupled, centrifugal pumps, single-stage, horizontal, non self-priming, made in monobloc design.

		RM2 - 8/60	
Motor output	[W]	180	250
Rated current @ 230V 50Hz 1ph.	[A]	1,3	3,0
Rated current @ 400V 50Hz 3ph.	[A]	0,67	0,79
Head max.	[mWS]	7,5	7,5
Capacity max.	[l/min.]	95	95
Density max. @ Qmax	[g/cm ³]	1,2	1,8
Length „L“	[mm]	300	305
Distance „E“	[mm]	Continuously variable 20 - 60	Continuously variable 20 - 60

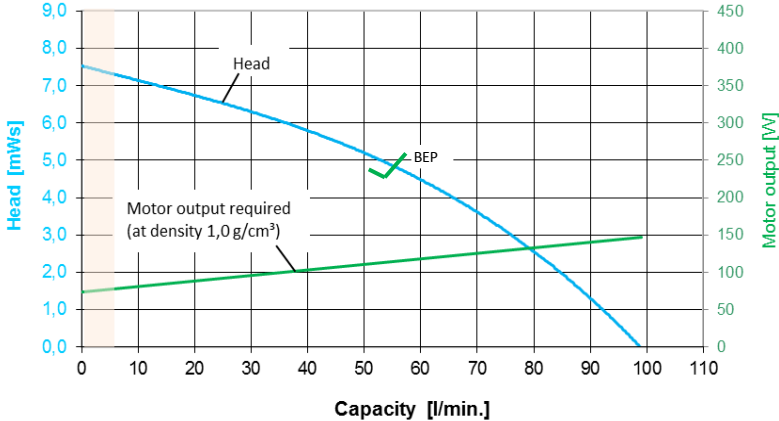
Materials:



Technical data

Medium-temperature max.	PP PVDF Stainless	80 °C 95 °C 100 °C
System-pressure max.	PP PVDF Stainless	1,0 bar 2,0 bar 8,0 bar
Viscosity	< 160 Pa s	
Elektrical motor	3-ph. or 1-ph. motors, 50 and 60Hz, 24V DC (direct current) Protection IP55, Isolationclass F , Chemical resistant 2K- painting RAL5011	
Options	<i>Thermal protection, other voltages / frequencies, UL, CSA, Special paintings and colors</i> 	

Flow curves RM 2 - 8/60



Drehzahl: 2900 U/min. @ 50Hz bzw. 3450 U/min. @ 60Hz

Values based on water at 20 °C (68 °F) / Measured value +/- 10%

Subject to technical alterations !

DATASHEET
Magnetically coupled pump

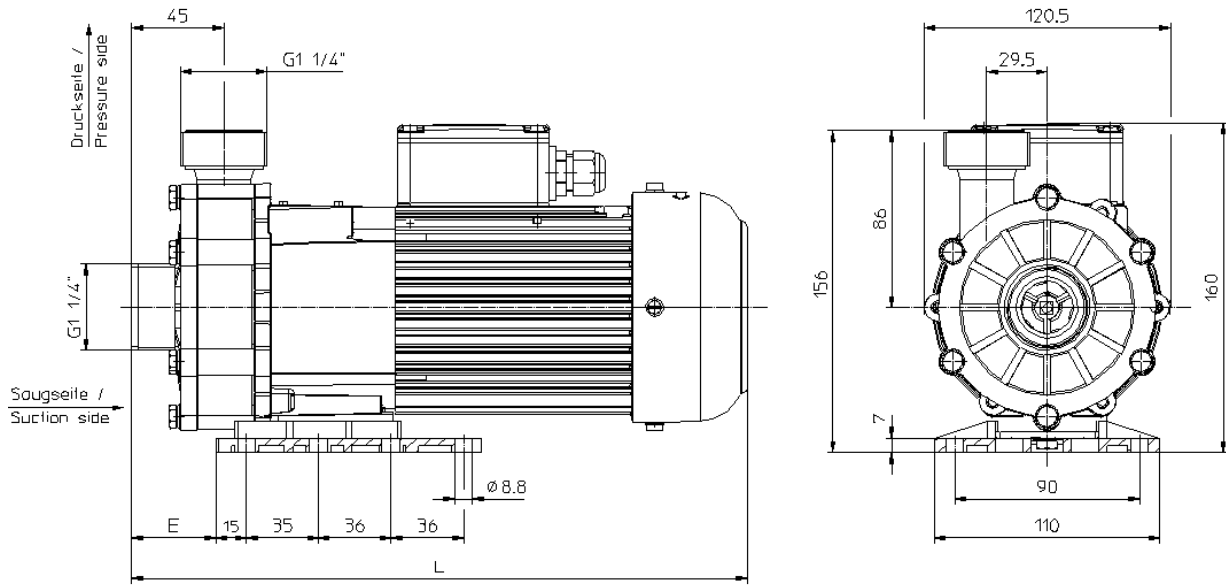
RM2 – 8/60

Motor output
 180W ; 250W 1-ph. and 3-ph.
 2900 or 3450 rpm [2-pol.]

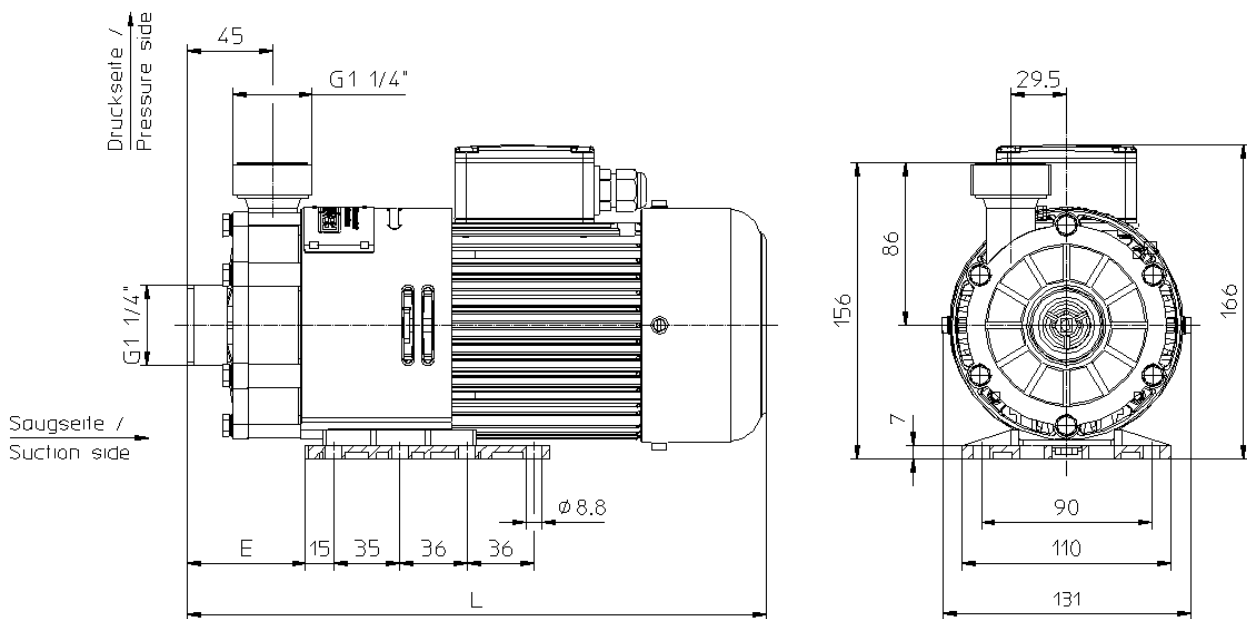


Dimensional drawings [mm]

Motor output 125W – 180W



Motor output 250W – 370W



Motor dimensions can be different ! ● Subject to technical alterations !


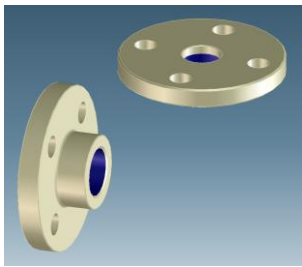
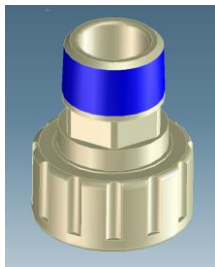
DATASHEET
Magnetically coupled pump

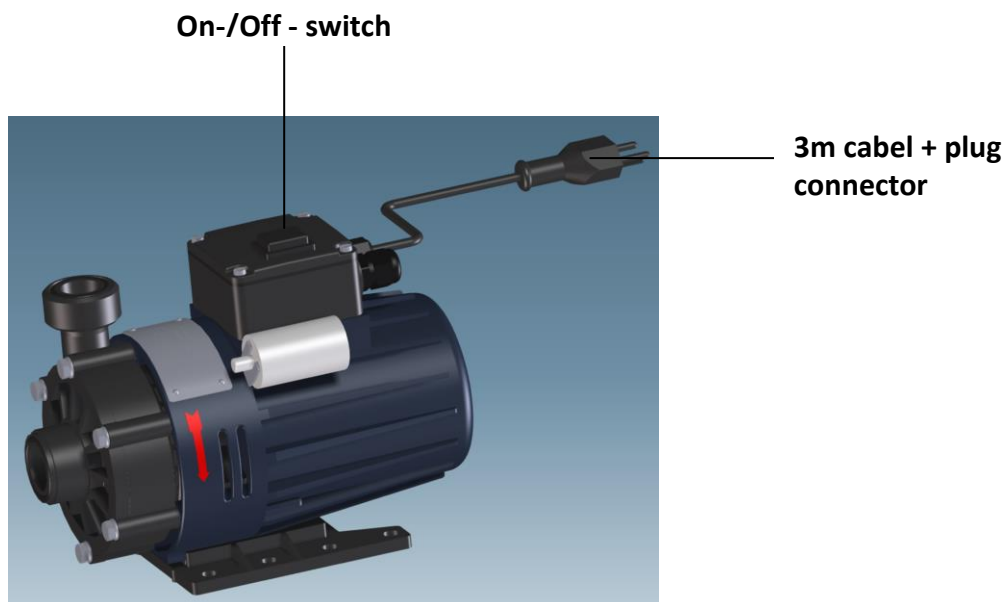
RM2 – 8/60

Motor output
 180W ; 250W 1-ph. and 3-ph.
 2900 or 3450 rpm [2-pol.]



Accessories / Options

Hose connection	Flange (DIN, ANSI)	NPT - Adapter
 <p>13mm 18mm 21mm</p>	 <p>DN20 PN10 (DIN EN 1092-3) 0,75" (ANSI Class 150) 1" (ANSI Class 150)</p>	 <p>NPT (M) 1"</p>



Subject to technical alterations !