

# CXL2 Injectors & Manifolds

## Premium Single Line Grease & Oil Systems



### General

Designed for use in single line high pressure automatic grease systems, CXL2 Injectors deliver precise volumes of lubricant at predetermined intervals. Injectors are mounted in manifolds in close proximity to the points of lubrication. A wide selection of discharge rates, combined with a corrosion resistant finish, make this product ideally suited for mobile, wind and a broad selection of general industrial applications.

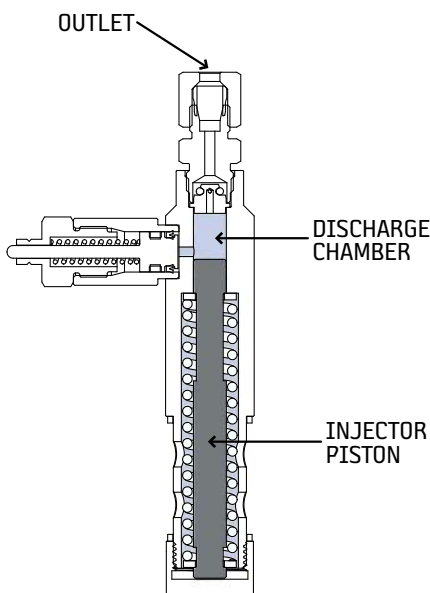
### Operation

Lubricant introduced under pressure at the inlet moves the injector piston forward. The piston displaces a pre charge of lubricant from the discharge chamber through the outlet check valve and through the feed line. When system pressure is relieved, the piston returns to its rest position, transferring lubricant stored in the measuring chamber to the discharge chamber. The injector is then ready for the next discharge cycle.

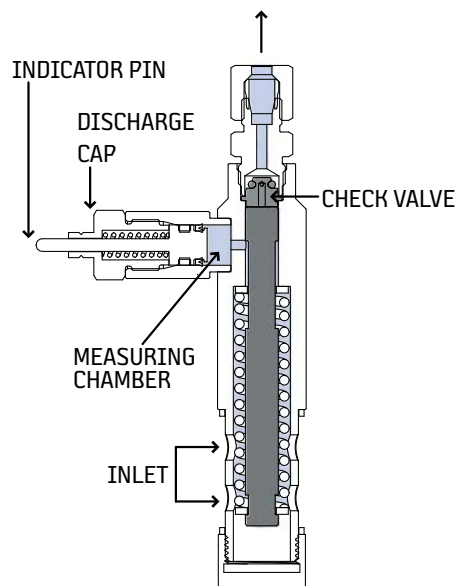


CXL2 Injectors  
(shown assembled)

### Rest Mode



### Pressurized Mode



### Features

- + Precise, dependable operation, no special tools required
- + Visual indicator pin for inspection and troubleshooting
- + Positive displacement output
- + Easy to understand, install and service
- + Injectors mount in any orientation
- + Single supply line means lower installation cost
- + Corrosion resistant for harsh environments

NOTE:

See page 3 for ordering information.

BIJUR DELIMON INTERNATIONAL

(919) 465 4448 LOCAL  
(800) 631 0168 TOLL-FREE  
(919) 465 0516 FAX

[WWW.BIJURDELIMON.COM](http://WWW.BIJURDELIMON.COM)

1 Copley Parkway - Suite 104  
Morrisville, NC 27560

## Technical Data

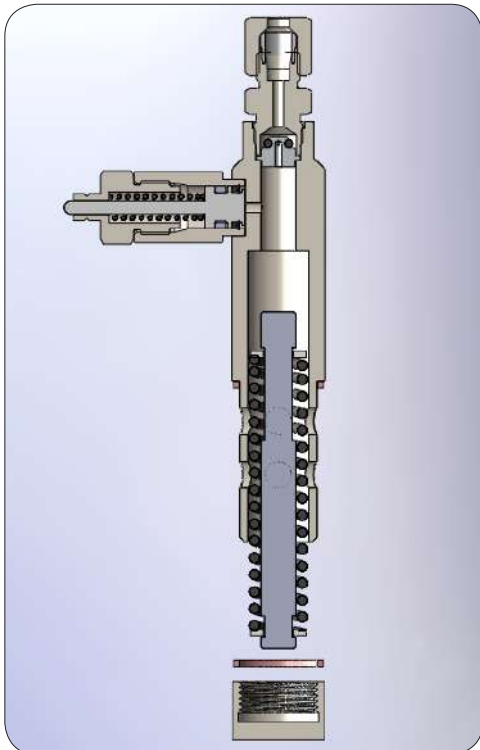
Discharge/Cycle	0.05-0.40cc (0.003-0.024 cu. in.)	
Lubricant Discharge Adjustment	Discharge caps: 0.05cc – 0.40cc in 0.05cc increments available	
Lubricant	Oil and Grease NLGI grade 000-2	
Minimum Operating Pressure	1200 psi (82 bar)	
Maximum Operating Pressure	3500 psi (248 bar)	
Minimum Vent	Recharge/Reset @ 600 psi (41 bar) or higher	
Surface Protection	Zinc Nickel, 1000-hour salt spray	
Material	Carbon steel with surface protection	
Operating Temperature Range	-13°F to 350°F (-25°C to 176°C)	
Manifold Inlet Ports	1/4" NPT(F) or 1/4"BSPP(F)	
Injector Outlet	Tube Connection Option	Female Thread Option
	3/16" O.D. tube connection (standard)	1/8" NPT female connection
		1/8" BSPP female connection
Seals	Viton®	



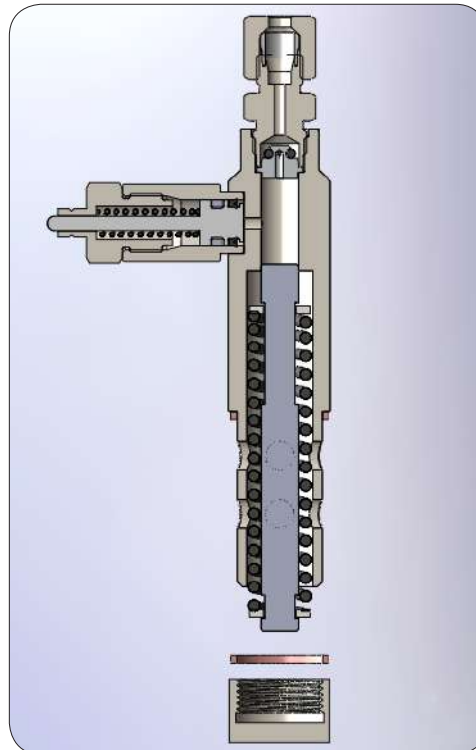
CXL2 Injectors  
(shown assembled)

## Installation Note

**WARNING:** Whenever inserting the piston and spring assembly into the injector body, the exposed end of the piston must be carefully started in the main bore and pushed in completely. If the assembly is forced, the piston and/or bore will be damaged and not function correctly.



Slide in piston and spring assembly



Correct installation

BIJUR DELIMON INTERNATIONAL

(919) 465 4448 LOCAL  
(800) 631 0168 TOLL-FREE  
(919) 465 0516 FAX

[WWW.BIJURDELIMON.COM](http://WWW.BIJURDELIMON.COM)

1 Copley Parkway - Suite 104  
Morrisville, NC 27560

## How to Order Individual Injectors & Manifolds

### Injectors



- Delivery**
- 05 - 0.05cc (0.003 cu. in.)
  - 10 - 0.10cc (0.006 cu. in.)
  - 15 - 0.15cc (0.009 cu. in.)
  - 20 - 0.20cc (0.012 cu. in.)
  - 25 - 0.25cc (0.015 cu. in.)
  - 30 - 0.30cc (0.018 cu. in.)
  - 35 - 0.35cc (0.021 cu. in.)
  - 40 - 0.40cc (0.024 cu. in.)

**Outlet Size\***

- "BLANK" - 3/16" Tube connection
  - C - 1/8" NPT female thread
  - D - 1/8" BSPP female thread
- \*Leave box blank for 3/16" tube connection

### Manifolds



- Type of Station**
- 37452 - single row 1/4"NPTF
  - 37627 - single row 1/4"BSPP

- Number of Stations**
- 3 - single row
  - 5 - single row
  - 6 - single row

Note: 1/4BSPP is equivalent to "G1/4" female threads. Copper washers required to seal, p.n.35010.



CXL2 Injectors  
(shown assembled)

### Accessories

Description		Part #
Manifold bypass plug kit (To close unused ports on manifolds)		37538
Mounting Screws (2 required per manifold, sold separately)	1/4-20	37573-11
	M6x1	37573-21

**NOTE:**

For additional accessories,  
see *Brochure #35544:*  
*Mobile Accessories Catalog*

## How to Order Complete Assembled Injectors & Manifolds



**Outlet Type\***

- S - 3/16" Tube connection
- C - 1/8" NPT female thread
- D - 1/8" BSPP female thread

**Injector Code\*\***

- 1 - 0.05 cc
- 2 - 0.10 cc
- 3 - 0.15 cc
- 4 - 0.20 cc
- 5 - 0.25 cc
- 6 - 0.30 cc
- 7 - 0.35 cc
- 8 - 0.40 cc
- 0 - plug

*list desired outlets left to right*

\* Note: Outlet types S & C have 1/4"NPT manifold inlets and include two(2) 1/4-20 mounting screws.  
Outlet type D has 1/4"BSPP inlets and includes two(2) M6X1 mounting screws.

\*\* Injectors are mounted on top and facing forward in manifold.

For Example, p.n. C2C333 is a manifold with three 0.15cc injectors, 1/8"NPT outlets, and two 1/4-20 mounting screws.

**BIJUR DELIMON INTERNATIONAL**

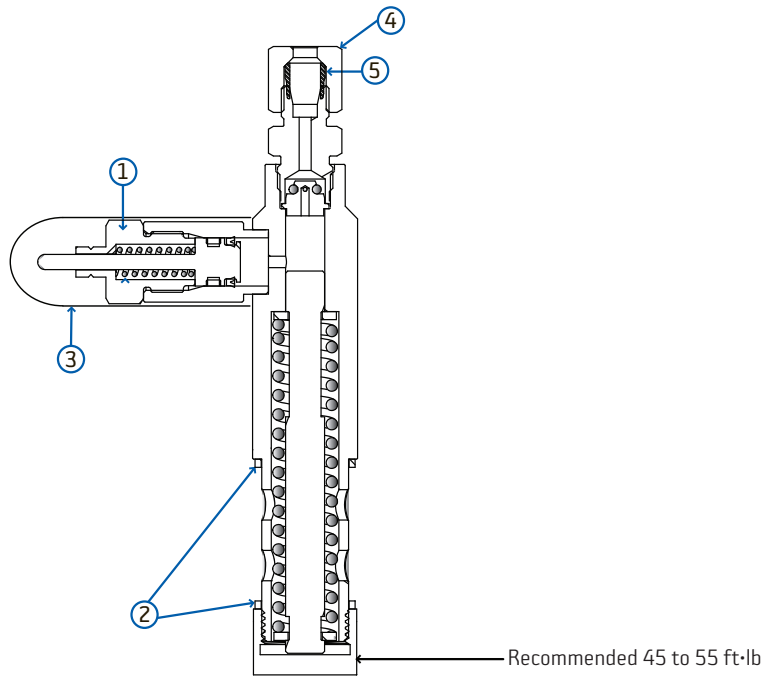
(919) 465 4448 LOCAL  
(800) 631 0168 TOLL-FREE  
(919) 465 0516 FAX

[WWW.BIJURDELIMON.COM](http://WWW.BIJURDELIMON.COM)

1 Copley Parkway - Suite 104  
Morrisville, NC 27560

**35482 • R10 10/19**

### Service Parts



Item	Description	Part #	
1	CXL2 discharge cap*	<i>0.05cc (0.003 cu. in.) delivery</i>	37456-05
		<i>0.10cc (0.006 cu. in.) delivery</i>	37456-10
		<i>0.15cc (0.009 cu. in.) delivery</i>	37456-15
		<i>0.20cc (0.012 cu. in.) delivery</i>	37456-20
		<i>0.25cc (0.015 cu. in.) delivery</i>	37456-25
		<i>0.30cc (0.018 cu. in.) delivery</i>	37456-30
		<i>0.35cc (0.021 cu. in.) delivery</i>	37456-35
		<i>0.40cc (0.024 cu. in.) delivery</i>	37456-40
2	Washers (X2)	35400	
3	Indicator pin protective cap	U1732D	
		3/16" OD    1/8" NPTF    1/8" BSPP	
4	Compression Nut	37459    -    -	
5	Compression Sleeve	37249    -    -	
* Do not overtighten, max torque 200 IN-LBS			

**BIJUR DELIMON INTERNATIONAL**

(919) 465 4448 LOCAL  
 (800) 631 0168 TOLL-FREE  
 (919) 465 0516 FAX

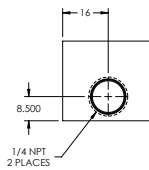
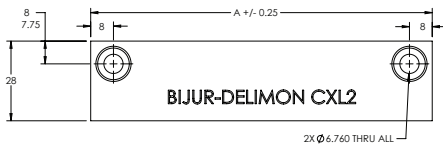
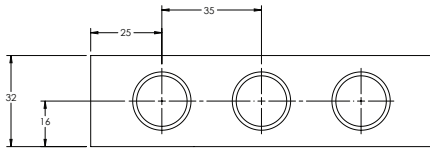
[WWW.BIJURDELIMON.COM](http://WWW.BIJURDELIMON.COM)

1 Copley Parkway - Suite 104  
 Morrisville, NC 27560

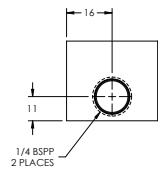
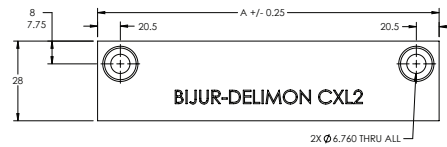
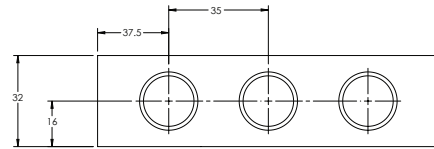
## Dimensional Schematics

### Manifolds

Manifolds - NPT



Manifolds - BSPP



Manifold Description	37452	37627
"A"	"A"	"A"
3 ports	120mm	145mm
5 ports	190mm	215mm
6 ports	225mm	250mm



CXL2 Manifold

**BIJUR DELIMON INTERNATIONAL**

(919) 465 4448 LOCAL  
 (800) 631 0168 TOLL-FREE  
 (919) 465 0516 FAX

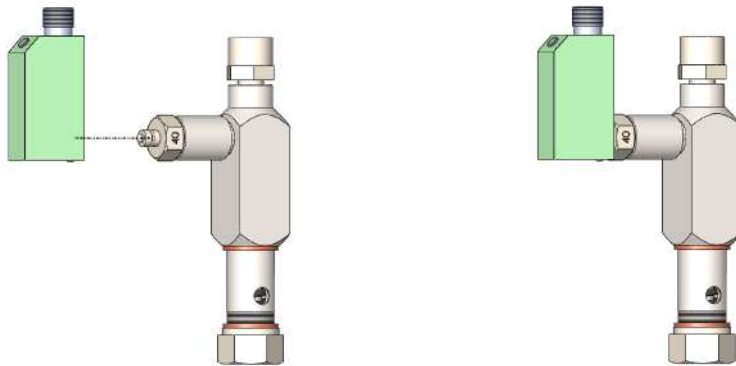
[WWW.BIJURDELIMON.COM](http://WWW.BIJURDELIMON.COM)

1 Copley Parkway - Suite 104  
 Morrisville, NC 27560

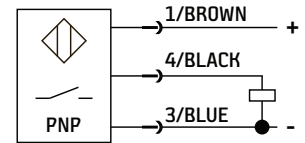
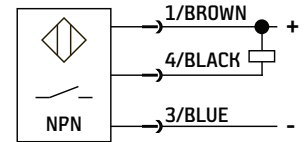
## Monitoring

NPN or PNP Cycle switches are available to mount on individual CXL2 Injectors (sold separately).

**NOTE:** Only for use with CXL2 injector cap sizes 10-40.



## Wiring Diagram



Description	Part #
Proximity cycle switch with LED (NPN) (Use with SMDC controller, Multiport II, or customer PLC)	66925S003*
Proximity cycle switch with LED (PNP) (Use with pCo controller or customer PLC)	66925-1311*
Cable, Straight, 10 meters long	76928-2863
Cable, 90°, 10 meters long	76928-2833

\* Use with cable part #76928-2863 or #76928-2833



Cycle Switch

### BIJUR DELIMON INTERNATIONAL

(919) 465 4448 LOCAL  
(800) 631 0168 TOLL-FREE  
(919) 465 0516 FAX

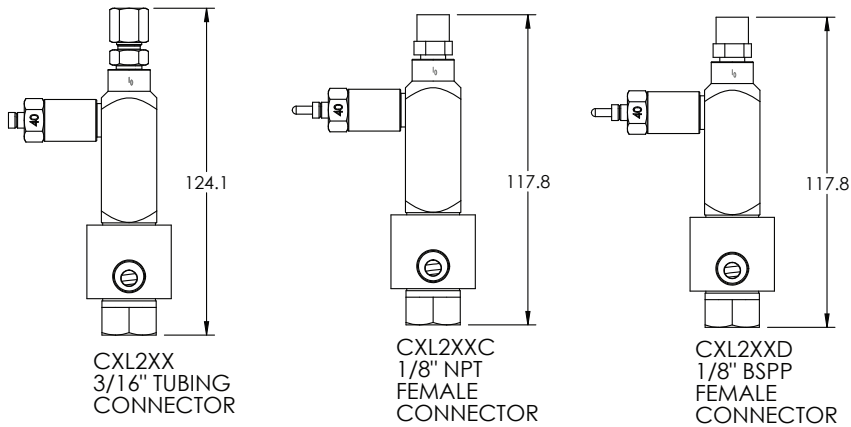
[WWW.BIJURDELIMON.COM](http://WWW.BIJURDELIMON.COM)

1 Copley Parkway - Suite 104  
Morrisville, NC 27560

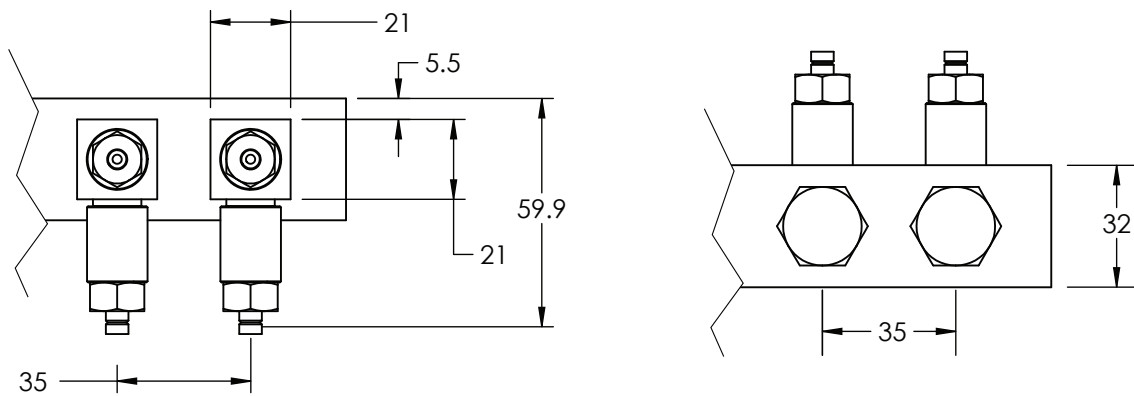
**Overall Dimensions (for reference only)**

Measurements shown in millimeters.

*Side Dimensions*



*Top and Bottom Dimensions*



**BIJUR DELIMON INTERNATIONAL**

(919) 465 4448 LOCAL  
(800) 631 0168 TOLL-FREE  
(919) 465 0516 FAX

[WWW.BIJURDELIMON.COM](http://WWW.BIJURDELIMON.COM)

1 Copley Parkway - Suite 104  
Morrisville, NC 27560