

FL-42 Injectors Oil

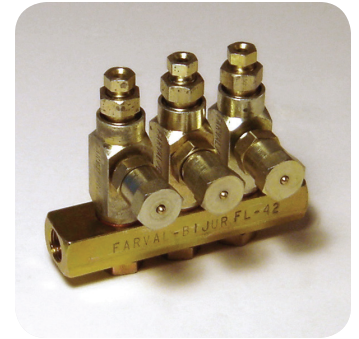
General

Single and manifold injectors are adjustable up to .003 cubic inches discharge per cycle.

Each manifold includes two mounting clips and screws (1/4" – 20 thread x 1/2" long hex head).

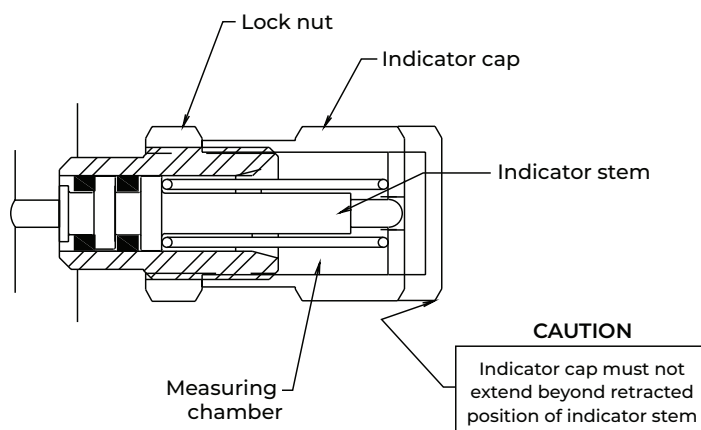
Technical Data

Minimum Oil Discharge	.001 cu. in. (.016cc)
Maximum Oil Discharge	.003 cu. in. (.049cc)
Adjusting Cap Range	2 turns from minimum
Minimum Operating Pressure	750 psi (51 bar)
Maximum Operating Pressure	1000 psi (68 bar)
Maximum Vent (Recharge Pressure)	150 psi (10 bar)
Material	Carbon steel, 300 series stainless steel
Surface Protection	Zinc
Seals	Viton
Maximum Operating Temperature	350°F (176°C)
Manifold Injector Inlet	1/8" NPTF (F)
Injector Outlet	1/8" O.D. tube connection



Notes Regarding Use

1. Check discharge output from injector if cap is adjusted to less than 1/2 turn from minimum.
2. Use a clean oil type and viscosity as recommended by machine manufacturer. Check compatibility with synthetic lubricants.



BIJUR DELIMON INTERNATIONAL

(919) 465 4448 LOCAL
(800) 631 0168 TOLL-FREE
(919) 465 0516 FAX

WWW.BIJURDELIMON.COM

1 Copley Parkway
Suite 104
Morrisville, NC 27560

Adjustment

Injector output is controlled by the position of the indicator cap. The location of the cap determines the travel of the discharge piston. When the indicator is fully tightened onto the measuring chamber, lubricant output is decreased to a minimum. Retracting the indicator cap two full turns permits a maximum of .003 cu. in. to be discharged. Turning the indicator cap beyond two full turns will not increase lubricant output. When the individual injector has been adjusted to the desired output, tighten locknut against face of the indicator cap.

How to Order

# of Outlets	Part #	
	Carbon Steel	300 Series Stainless Steel
1 (direct mount)	27165	27165SS
1	27165-1	27165-1SS
2	27165-2	27165-2SS
3	27165-3	27165-3SS
4	27165-4	27165-4SS
5	27165-5	27165-5SS
6	27165-6	27165-6SS
10	27165-10	27165-10SS
15	27165-15	27165-15SS
Replacement (no manifold)	27165-R	27165-RSS

When Ordering:

Specify by name and part number.

Example:

FL-42 Oil Injector, Part #27165

BIJUR DELIMON INTERNATIONAL

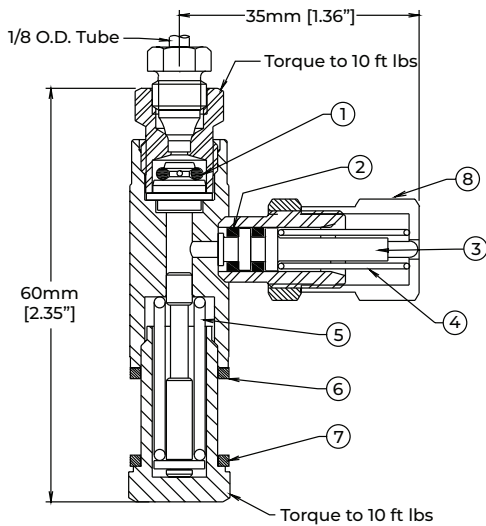
(919) 465 4448 LOCAL
 (800) 631 0168 TOLL-FREE
 (919) 465 0516 FAX

WWW.BIJURDELIMON.COM

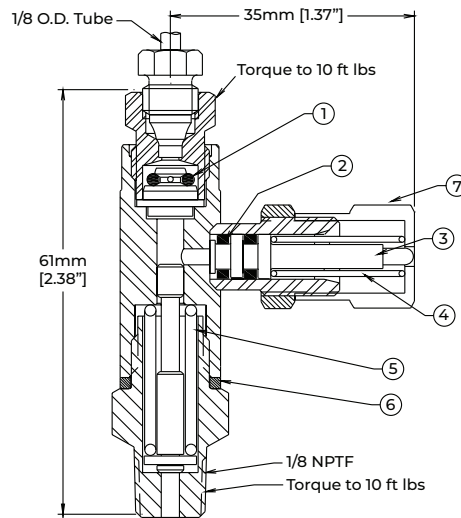
1 Copley Parkway
 Suite 104
 Morrisville, NC 27560

Service Parts

Manifold Mount



Direct Mount



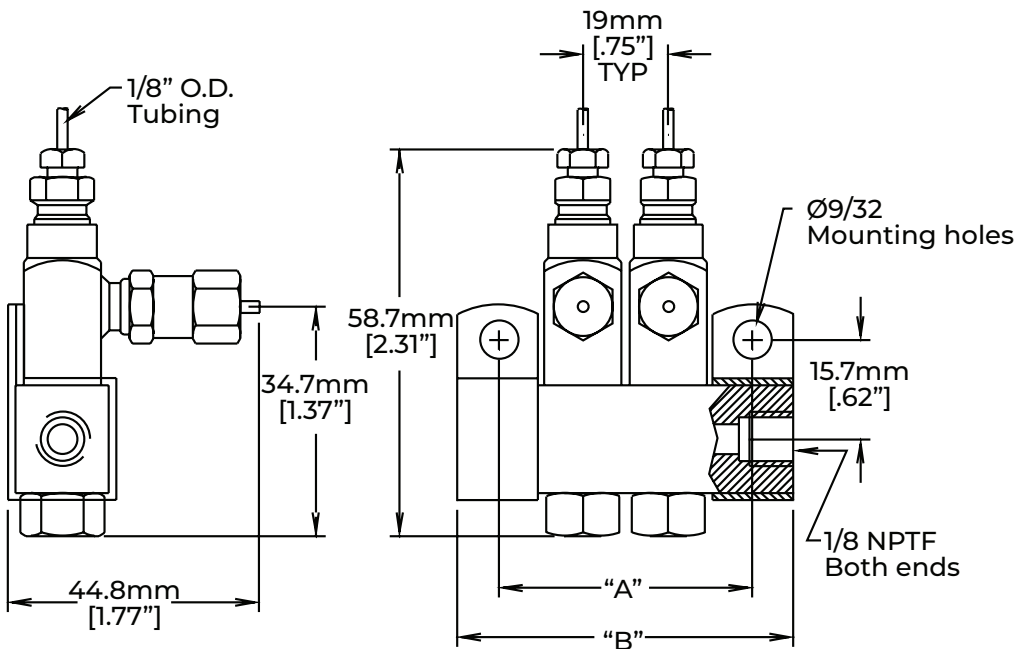
NOTE:

Replacement Outlet fittings:
P.N. 27339 Compression Bushing
P.N. 27338 Compression Sleeve

Item	Description
1	O-ring
2	Seal
3	Indicator
4	Spring
5	Spring
6	Seal washer
7	Seal washer
8	Indicator cap
All of the above	Repair kit (Part #27357)

Item	Description
1	O-ring
2	Seal
3	Indicator
4	Spring
5	Spring
6	Seal washer
7	Indicator cap
All of the above	Repair kit (Part #27357-1)

Dimensional Schematics



Part #	Dimensions	
	A	B
27165	Single injector, direct mount [1/8" NPTF (M)]	
27165-1	30mm (1-3/16")	41mm (1-5/8")
27165-2	48mm (1-7/8")	60mm (2-3/8")
27165-3	67mm (2-5/8")	70mm (3-1/8")
27165-4	87mm (3-7/16")	98mm (3-7/8")
27165-5	106mm (4-3/16")	117mm (4-5/8")
27165-6	124mm (4-7/8")	137mm (5-13/32")
27165-10	200mm (7-7/8")	213mm (8-3/8")
27165-15	292mm (11-5/8")	310mm (12-1/8")
27165-R	Replacement for manifolded mounted injectors	

BIJUR DELIMON INTERNATIONAL

(919) 465 4448 LOCAL
 (800) 631 0168 TOLL-FREE
 (919) 465 0516 FAX

WWW.BIJURDELIMON.COM

1 Copley Parkway
 Suite 104
 Morrisville, NC 27560