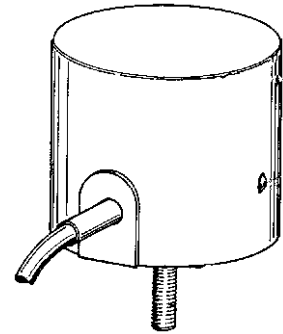


- Plastic housing \varnothing 80 mm
- Rated operating distance (S_n) 50 mm
- Output PNP normally open



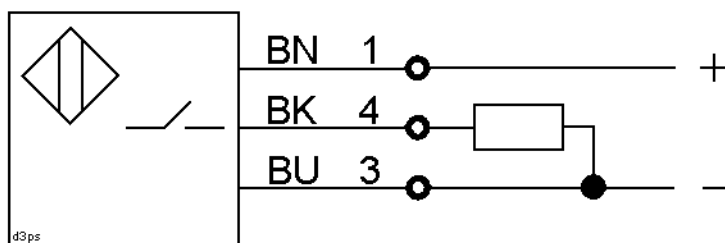
Product Characteristics

Type	IKK 050.33 G
Art.-No.	2012E
Application	Non-contact detection of metallic objects

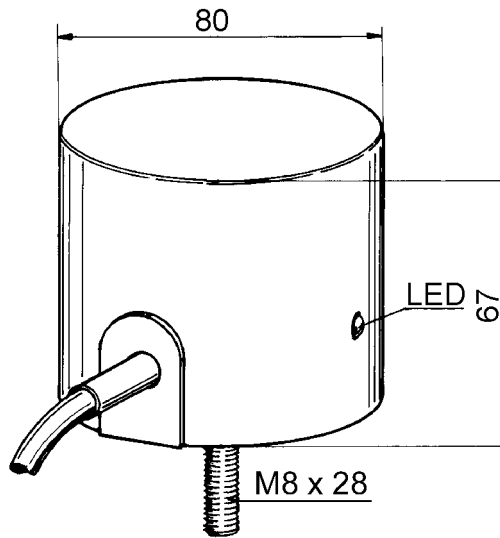
Technical Data

Rated operating distance (S_n)	50 mm
Target steel St37, 1 mm thick	150 x 150 mm
Operating distance adjustable	no
Switching hysteresis (H)	1 - 15 %
Location at metal	non flush
Supply voltage (U_B)	10 - 55 V DC
Ripple voltage	max. 15 %
Output	PNP normally open
Continuous current	0 - 400 mA
Short-circuit protection	yes, pulsing
No-load current (I_0)	< 10 mA
Voltage drop (U_d)	< 2 V
Operating frequency (f)	100 Hz
Ambient temperature	-25 ... +70 °C
Protection class	IP 67
Connection	2 m PVC cable
Housing material	plastic PBT
Functional display	LED
Weight	

Connection



Dimension (mm)



Accessories (in scope of supply)

	Type	Art.-No.
-	-	-

Accessories (not in scope of supply)

	Type	Art.-No.
-	-	-

Further information

	Document
Operating manual	BDA_IK_D_E