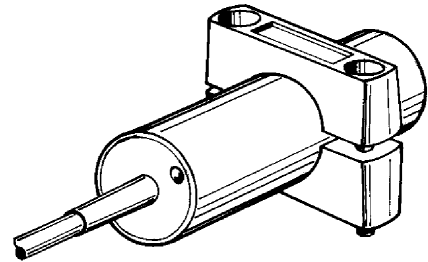


- Plastic housing  $\varnothing$  34 mm
- Rated operating distance ( $S_n$ ) 20 mm
- Output PNP normally open + normally closed
- Ambient temperature up to 100 °C



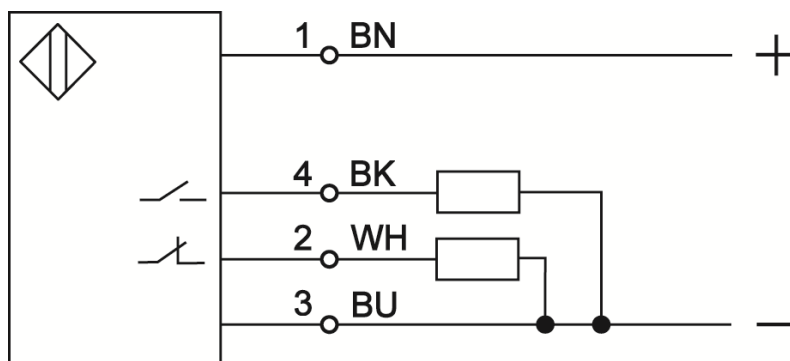
### Product Characteristics

Type	IKH 020.38 GH
Art.-No.	2001J
Application	Non-contact detection of metallic objects

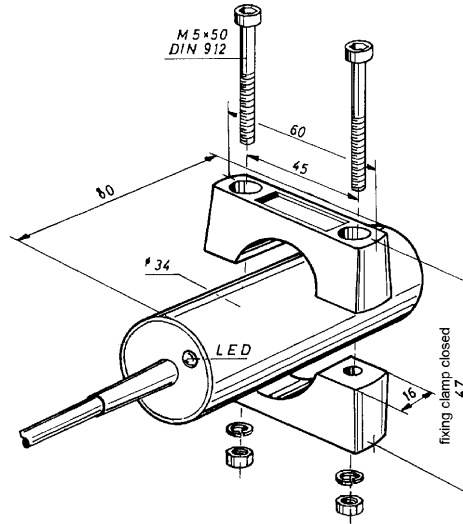
### Technical Data

Rated operating distance ( $S_n$ )	20 mm
Target steel St37, 1 mm thick	60 x 60 mm
Operating distance adjustable	no
Switching hysteresis (H)	1 - 15 %
Location at metal	non flush
Supply voltage ( $U_B$ )	10 - 55 V DC
Ripple voltage	max. 15 %
Output	PNP normally open PNP normally closed
Continuous current	0 - 400 mA
Short-circuit protection	yes, pulsing
No-load current ( $I_0$ )	< 10 mA
Voltage drop ( $U_d$ )	< 2 V
Operating frequency (f)	200 Hz
Ambient temperature	-25 ... +100 °C
Protection class	IP 67
Connection	2 m silicon cable
Housing material	plastic PBT
Functional display	LED
Weight	

### Connection



**Dimension (mm)**



**Accessories** (in scope of supply)

	Type	Art.-No.
Suitable mounting clamp	HH 1	9823A

**Accessories** (not in scope of supply)

	Type	Art.-No.
-	-	-

**Further information**

	Document
Operating manual	BDA_IK_D_E