

BLOWING IN THE WIND

NEW



TECNA proposes a complete line of AIR HOSE BALANCERS and AIR HOSE SPIRAL ACCESSORIES, perfect for balancing and working ergonomically with AIR TOOLS.

The various declinations of AIR HOSE BALANCERS models and of AIR HOSE SPIRAL ACCESSORIES allow you to always find the perfect solution with any air tool, from a screwdriver to a trimmer or a cutter, from an air gun to an impact wrench.

Thanks to their light weight and perfect balancing capability, **TECNA BALANCERS** are a perfect match with your daily work.

Solidity and reliability make **TECNA BALANCERS** an excellent friend of any workbench and working position, whether you are standing or sitting, supporting weight, balancing loads and improving the efficiency and performance of the whole process.

TECNA BALANCERS can follow you wherever you go, wherever you work. Just use them and you will see, the only limit is your creativity. And when you don't find an answer, just contact us and we'll listen.

19

Used for arranging ergonomic work stations.

Applications: Screw drivers - Drills - Shearing machines - Tools for electronics - Air guns.

ADVANTAGES

Maximum ease of use.

Minimum overall dimensions as the tool is supported by the hose.

Polyurethane hose.

Rugged construction, cast aluminium body.

Adjustable capacity.

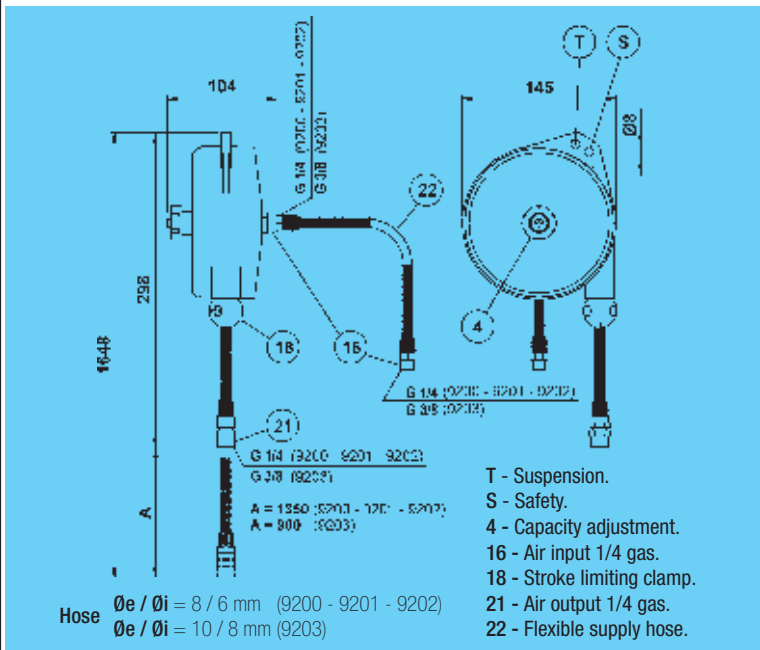
Springs properly sized to ensure long life and smooth running.

Adjustable stroke limiting device.

Auxiliary safety suspension.



	Aluminium	
	1350 mm	9200÷9202
	900 mm	9203
	Polyurethane	
	0,4÷5 kg	



Max operating pressure:
8 bar
Max operating temperature:
50°

Item	9200	9201	9202	9203 (GS excluded)
	0,4÷0,8	0,75÷1,5	1,2÷2,5	3÷5
	1,25	1,30	1,35	1,35

BALANCERS TECHNICAL FEATURES

	9300÷9303 9300NY÷9303NY	9310÷9313 9310NY÷9313NY	9320÷9323 9320NY÷9323NY	9336L÷9340 9336LNY÷9340NY	9346L÷9350 9346LNY÷9350NY	
kg	0.2÷3	0.2÷3	1÷8	0,5÷14	0,5÷14	Capacity
mm	1600	1600	2000	2500	2500	Stroke
●						Rugged construction, Nylon body
		●	●	●	●	Rugged construction, cast aluminium body
● 1	● 2	● 3	● 4	● 5		Stainless steel rope
● 10	● 11	● 12	● 13	● 14		Polypropylene / Dyneema rope, for «NY» model
●	●	●	●	●		Adjustable capacity
●	●	●	●	●		Safety suspension
			●	●	●	Safety device against load dropping due to the spring breakage (capacity >3kg)
●	●	●	●	●		Adjustable stroke limiting device
●	●	●	●	●		Cable guide in antifriction material
●	●	●	●	●		Inert spring drum assembly
●	●	●	●	●		Polyamides thimble

ON REQUEST 32952

32952			●	●	●	Flexible cables holder (Max. load capacity 25kg)
-------	--	--	---	---	---	--

PACKAGING FEATURES

	9300 9300NY	9301 9301NY	9302 9302NY	9303 9303NY	9310 9310NY	9311 9311NY	9312 9312NY	9313 9313NY	9320 9320NY	9321 9321NY	9322 9322NY
kg	0,50	0,60	0,60	0,70	0,50	0,70	0,70	0,80	1,80	2,1	2,1
mm	204x112x62	204x112x62	204x112x62	204x112x62	204x112x62	204x112x62	204x112x62	204x112x62	254x149x96	254x149x96	254x149x96
●	1/10	1/10	1/10	1/10	2/11	2/11	2/11	2/11	3/12	3/12	3/12
	9323 9323NY	9336L 9336LNY	9336 9336NY	9337 9337NY	9338 9338NY	9339 9339NY	9340 9340NY	9346L 9346LNY	9346 9346NY	9347 9347NY	9348 9348NY
kg	2,5	3,40	3,40	3,60	3,70	3,70	3,80	3,40	3,40	3,60	3,70
mm	254x149x96	304x186x100	304x186x100	304x186x100	304x186x100	304x186x100	304x186x100	304x186x100	304x186x100	304x186x100	304x186x100
●	3/12	4/13	4/13	4/13	4/13	4/13	4/13	5/14	5/14	5/14	5/14
	9349 9349NY	9350 9350NY	9200	9201	9202	9203	7010000017	7010000018	7010000015	7010000016	
kg	3,80	3,90	1,40	1,40	1,60	1,60	0,45	0,65	0,48	0,68	
mm	304x186x100	304x186x100	225x160x110	225x160x110	225x160x110	225x160x110	304x186x100	304x186x100	304x186x100	304x186x100	
●	5/14	5/14	19	19	19	19	6/15	7/16	8/17	9/18	