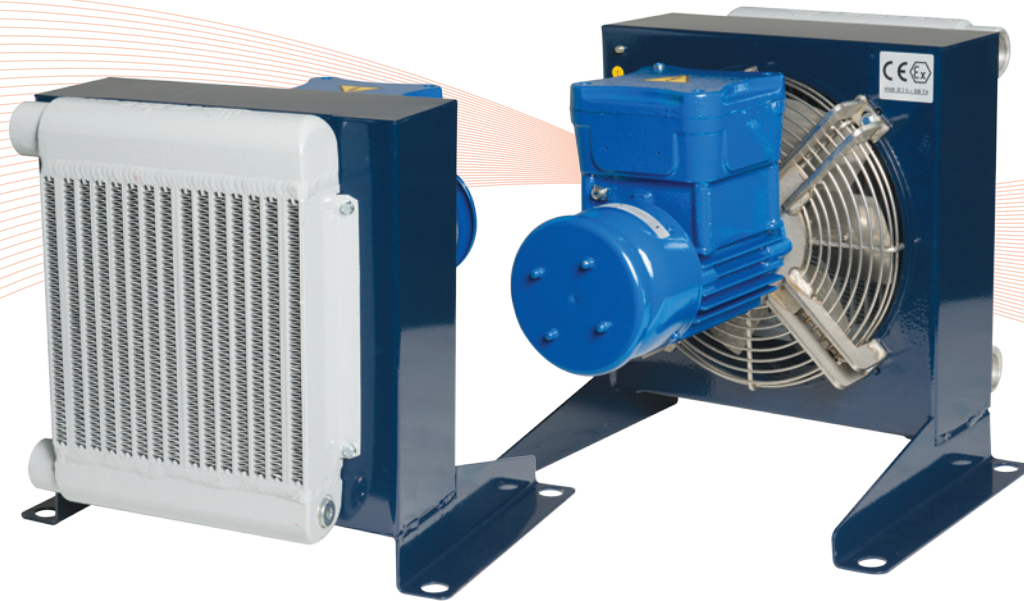
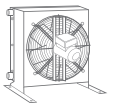


AP 300 EMX

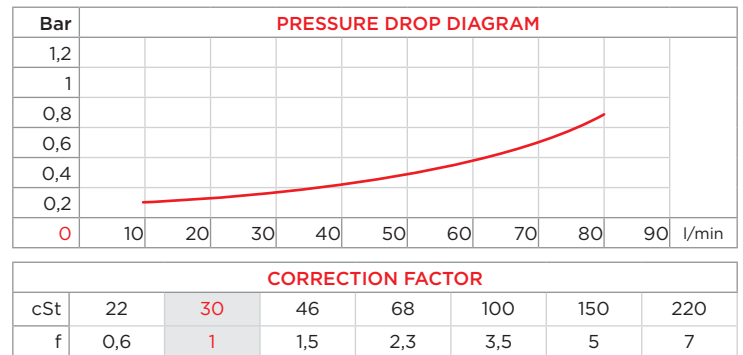
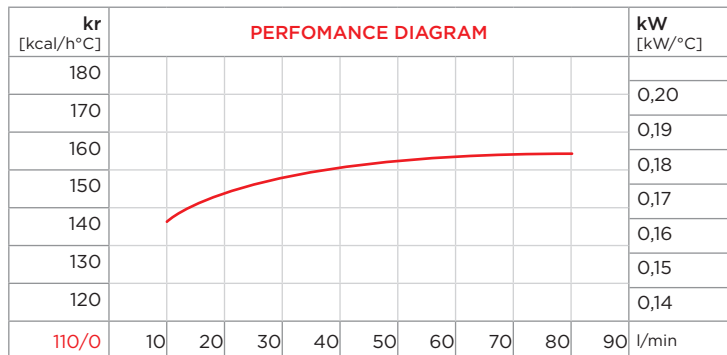


PURCHASE CODES

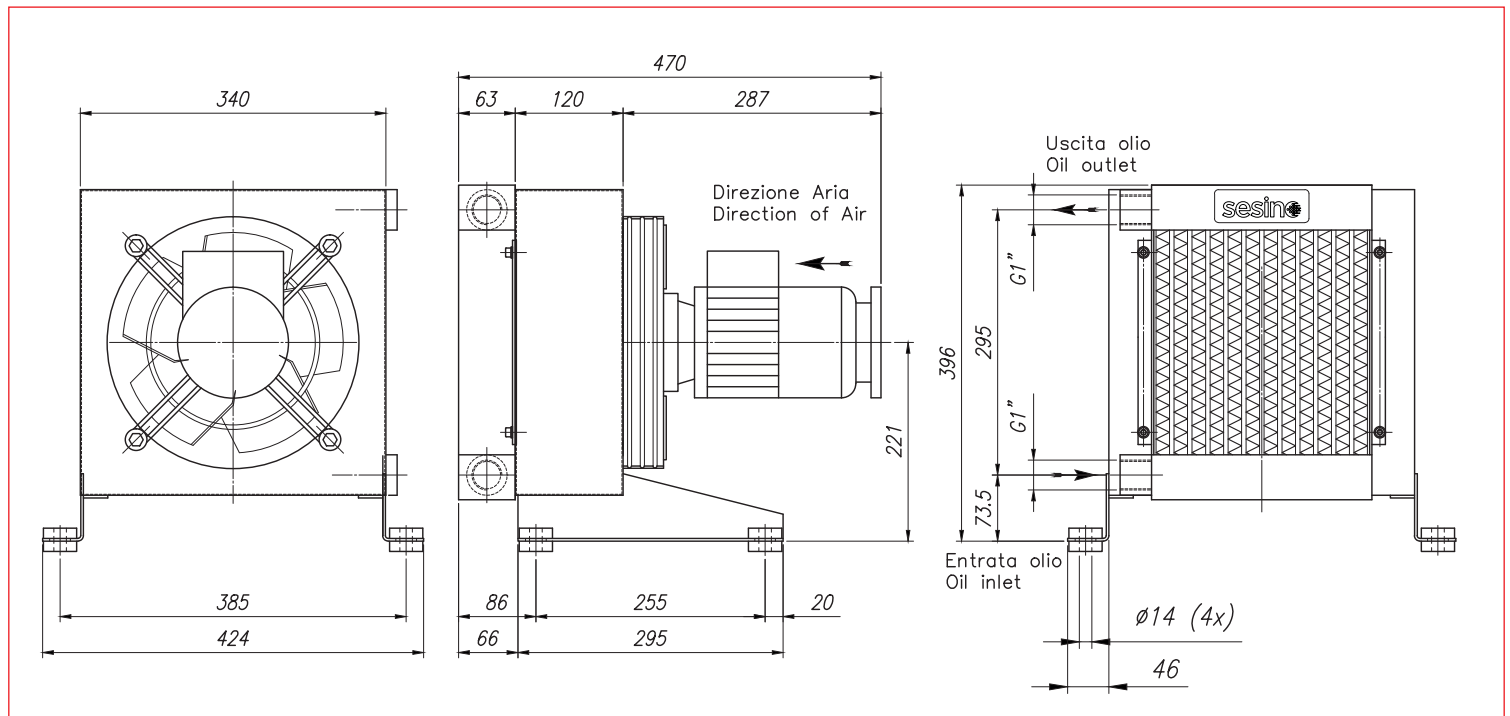
AP 300 EMX three-phase 400V 50HZ	3RAP300EMX50
AP 300 EMX three-phase 460V 60HZ	3RAP300EMX60

SPARE PARTS

Cooling element	3RNL300A
Frame	3CNAP300EMX.1
Electric fan 400V 50Hz	1VNAP300EMX50
Electric fan 460V 60Hz	1VNAP300EMX60



- Dimensions and technical characteristics are not binding



CODE	OIL FLOW l/min	CAPACITY l	VOLT. V	FREQ. Hz	POWER W	CURRENT A	AIR FLOW m³/h	PROTECTION IP	NOISE LEV. dB(A)	WEIGHT kg	ø FAN mm	TEMP. °C
3RAP300EMX50	10-80	2	400	50	180	0,75	1500	56	81	30	250	-20/+40
3RAP300EMX60	10-80	2	460	60	180	0,65	1580	56	83	30	250	-20/+40