



FEATURES

- DSP technology with adjustable filtering
- Cycle time less than 10 ms
- Advanced diagnostics, data processing
- Excellent repeatability (better than $\pm 0.05\%$), accuracy ($\pm 0.1\%$)

BENEFITS

- ▶ Reliable measurement under challenging conditions
- ▶ Applicable for highly dynamic applications
- ▶ Optimize control and lifecycle management
- ▶ Increased product quality

SPECIFICATIONS

Supply Voltage:	24 V DC
Power Consumption:	1.1 W
Interfaces:	Modbus RTU
Cable Gland:	½" NPT M20x1.5
Cable:	4-wire standard industrial signal cable, up to 200 m long, 2x screened pairs
Housing Material:	Aluminum
Protection Class:	IP65, Option: IP67 NEMA 4X to IEC 529 and DIN 40050 (1 mH ₂ O for 30 min.)
Weight:	1.4 kg [3.1 lb]

TEMPERATURE

Ambient Temp. Transmitter:	-40 °C ... +60 °C [-40 °F ... +140 °F] (humidity max. 95 %)
Storage and Transport:	-40 °C ... +70 °C [-40 °F ... +158 °F]

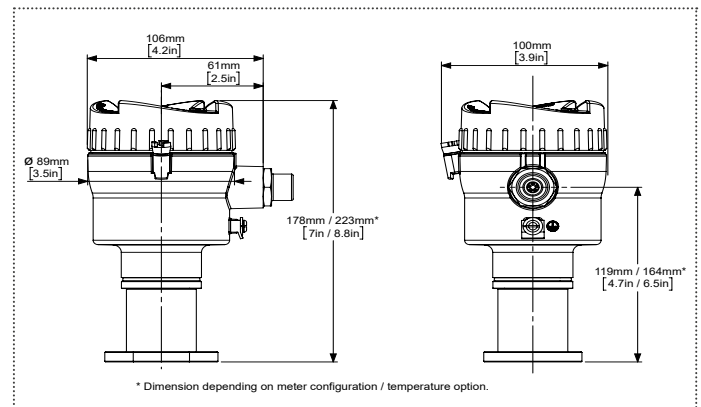
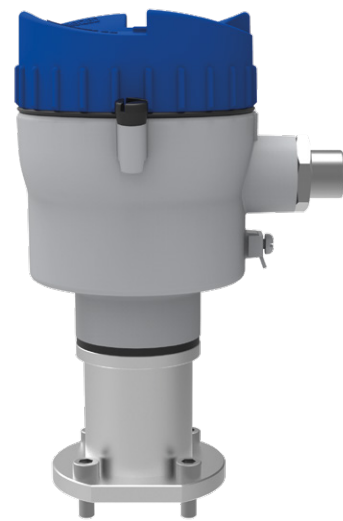
APPROVALS & CERTIFICATIONS

Hazardous area (Ex)

ATEX, IECEx, cCSAus: version-dependent.
For details see datasheet TCMP or TCMQ series.

EMC

EN 55011/CISPR-11 (Class A)
EN/IEC 61236-1 (Industry)



www.tricorflow.com



NORTH & SOUTH AMERICA
AW-Lake Company
2440 W. Corporate Preserve Dr. #600
Oak Creek WI 53154 | USA
+1 414 574 4300

ASIA PACIFIC & MIDDLE EAST
KEM Küppers Elektromechanik GmbH
Liebigstraße 5
85757 Karlsfeld | Germany
+49 8131 59391-0

CHINA
KEM flow technology (Beijing) Co., Ltd.
Rm. 906, Block C, Ruiyu Office Bldg, No. 15
HongJunYingNan Road
Chaoyang District, Beijing 100012 | China
+86 10 84929567

EUROPE (ROW)
KEM Küppers Elektromechanik GmbH
Liebigstraße 5
85757 Karlsfeld | Germany
+49 8131 59391-100