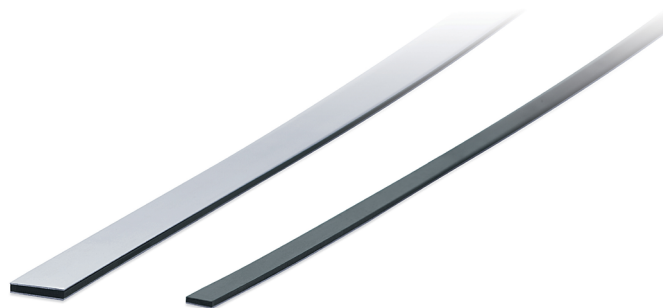




- Flexible magnetic tape with adhesive tape
- Incremental coding
- Cover strip available on request
- Resistant to debris, liquids and oils
- Standard rolls up to 100 m
- MT10, MT20, MT25, MT32, MT40, MT50 series
- MTS10, MTS20, MTS25, MTS50 series



MT • MTS

### ENVIRONMENTAL SPECIFICATIONS

Operating temperature range:	-25°C +85°C (-13°F +185°F)
Storage temperature range:	-40°C +100°C (-40°F +212°F)

### MECHANICAL SPECIFICATIONS

Dimensions:	see drawing
Material:	plastoferrite and stainless steel
Accuracy class:	see order code
Thermal expansion coefficient:	16 * 10 <sup>-6</sup> /K
Length:	MT max. 100 m, MTS max. 30 m
Polar pitch:	MT/MTS50 : 5,0 mm, MT40 : 4,0 mm, MT32 : 3,2 mm MT/MTS20 : 2,0 mm, MT/MTS25 : 2,5 mm, MT/MTS10 : 1,0 mm

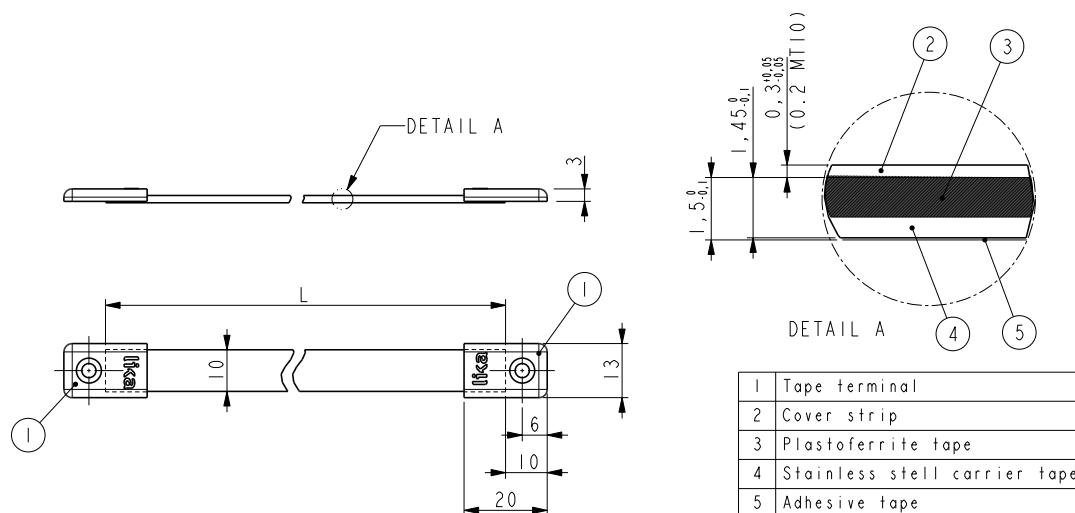
### CHEMICAL RESISTANCE INFORMATION

Acetone	••	Mineral / Motor oil	•
Acetylene	••	Petrol	••
Antifreeze (Glacial acetic acid)	•	Seawater	••
Benzene	•••	Steam heat	•
Heptane	•••	Thinner	•••
Kerosene	•	Turpentine	••
Ketone	•••		

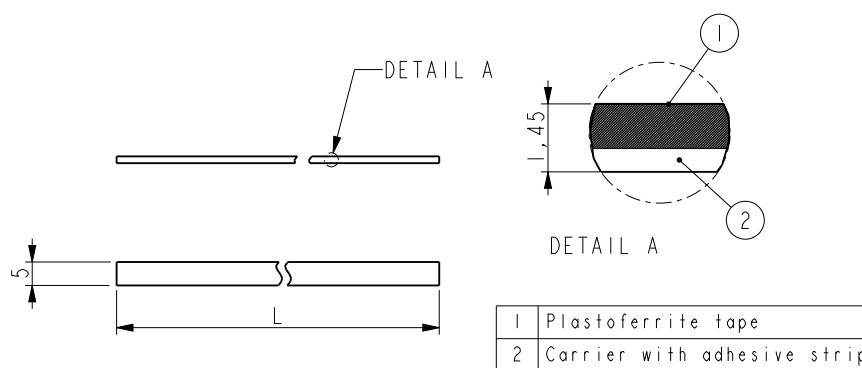
• No effect or low effect      •• Low to Medium effect      ••• Strong effect

### ACCESSORIES

KIT PS1-1,0:	Protection profile for MTxx tapes (10 pcs)
KIT LKM-1440:	Tape terminals for MTxx tapes (10 pcs)



MT



MTS

Order code

MT50	MT25	-	XXX	-	XXX	-	X	-	/Sxxx
MT40	MT20		Ⓐ		Ⓑ		Ⓒ		Ⓓ
MT32	MT10								

Ⓐ LENGTH

- 1 = 1,0 m
- 2 = 2,0 m
- 4 = 4,0 m
- 10 = 10,0 m
- 20 = 20,0 m
- 30 = 30,0 m
- 50 = 50,0 m
- 100 = 100,0 m

Ⓑ ACCURACY CLASS

- 100 = ±85 µm/m
- 50 = ±35 µm/m (up to 30 m)
- 10 = ±8 µm/m (up to 10 m)

Ⓒ COVER STRIP

- 0 = not supplied
- 1 = supplied

Ⓓ CUSTOM VERSION

Order code

MTS50	MTS25	-	XXX	-	XXX	-	X	-	/Sxxx
MTS20	MTS10		Ⓐ		Ⓑ		Ⓒ		Ⓓ

Ⓐ LENGTH

- 1 = 1,0 m
- 2 = 2,0 m
- 4 = 4,0 m
- 10 = 10,0 m
- 20 = 20,0 m
- 30 = 30,0 m

Ⓑ ACCURACY CLASS

- 50 = ±35 µm/m

Ⓒ COVER STRIP

- 0 = not supplied

Ⓓ CUSTOM VERSION

Document release	Date	Description
1.1	04.05.2021	MTS10, MTS25: introduction