



CHART



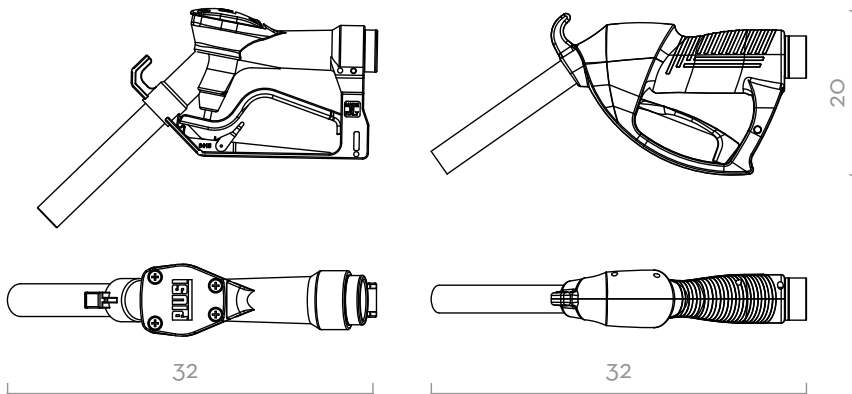
IN THE BOX

- SELF 2000 / SELF 3000 NOZZLE
- INSTRUCTION MANUAL

DETAILS



DIMENSIONS



Dimensions expressed in millimeters

MATERIALS

- BODY: ALLUMINIO
- SEAL: NBR/VITON (FKM)
- SWIVEL: BRASS/NICKEL PLATED

TECHNICAL DATA

CODE	DESCRIPTION	FLUIDS TYPE	FLOW RATE		INLET		SPOUT	
			L/MIN	GPM	SWIVEL	Ø BSP	EXT. Ø MM	
00063900A	SELF 2000 1" BSP UNLEADED	D G O	120	32	FEMALE	1" BSP	20	
00064900A	SELF 2000 3/4" BSP	D O	120	32	FEMALE	3/4" BSP	25	
00064902A	SELF 2000 3/4" BSP UNLEADED	D G O	120	32	FEMALE	3/4" BSP	20	
00065001A	SELF 3000 1" BSP UNLEADED	D O G	150	40	FEMALE	1" BSP	20	
00065600A	SELF 2000 1" BSP SPOUT 25 MM	D O	120	32	FEMALE	1" BSP	25	
FO0641120	SELF 2000 W/HOSE TAIL D.20 SPOUT 25 MM	D O	120	32	FEMALE	3/4" BSP	25	
FO0641130	SELF 2000 1" BSP	D O	120	32	FEMALE	1" BSP	25	
FO065000A	SELF 3000 1" BSP LEADED SPOUT	D O	150	40	FEMALE	1" BSP	25	
FO0650020	SELF 3000 1" BSP LEADED SPOUT S/P	D G O W	150	40	FEMALE	1" BSP	25	
FO063000A	PLASTIC NOZZLE BLACK W/SWIVEL 1" BSP	D O W	80	21	FEMALE	1" BSP	34	
NEW FO0641800	SELF 2000 1" BSP B100	BIO	120	32	FEMALE	1" BSP	20	