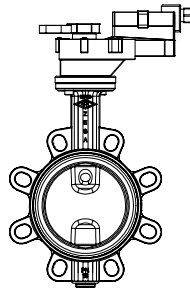


ARI-ZESA®EA - Fig. 012 - Free of maintenance butterfly valve with elongated eyelets - soft sealed

ARI-GESA®EA - Fig. 013 - Free of maintenance butterfly valve with threaded eyelets - soft sealed

ARI-ZESA®EA / ARI-GESA®EA
with electric rotary actuator EA

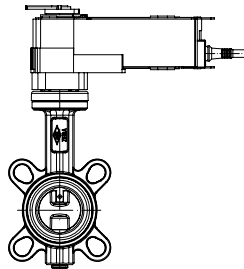
- Open/close or 3-point (EA1/EA2)
230V 50/60Hz or 24V AC/DC
- Modulating 0(2)-10V (EA1Y/EA2Y)
24V AC/DC
- Enclosure IP 54
(IP 66/67 on request)



Page 6

ARI-ZESA®EA / ARI-GESA®EA
with electric rotary actuator EA-SR
with safety reset

- Open/close 230V 50/60Hz or 24V AC/DC
- Reset to start on failure
(Spring closes on electrical power failure / NC)
- Enclosure IP 54



Page 7



Fig. 012 - ARI-ZESA®EA

Features:

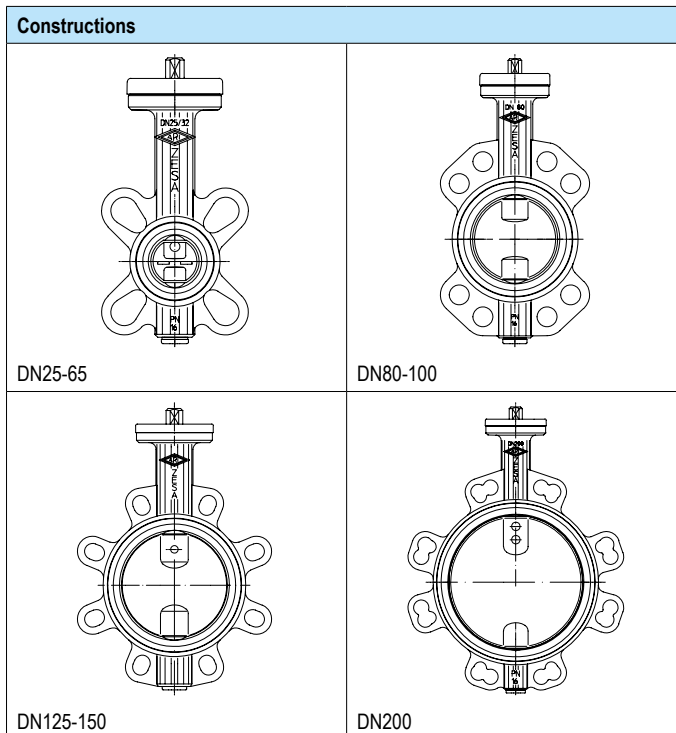
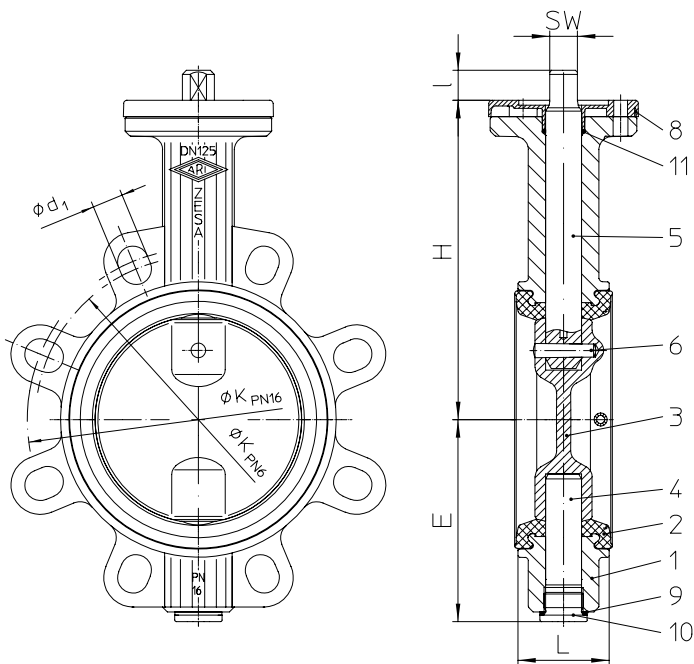
- Soft sealing
- Maintenance-free
- Good flow characteristic due to excellent Zeta-values
- Seat materials EPDM
- Double sealing of the stem
- Stainless steel disc (to DN 80)
- Complete insulation possible according to the german „Energy saving order - EnEV“
- Dew point barrier
- Central disc bearing
- Nodular iron body
- EPDM with DIN DVGW Reg. drinking water (DW-6201BR0244)

ARI-ZESA®EA:

- Wafer type

ARI-GESA®EA:

- Lug type
- Pipeline one-side detachable

Butterfly valve with elongated eyelets (SG iron)


| Figure | Nominal pressure | Material | Nominal diameter | Disc | Stem |
|--------|------------------|-----------|------------------|---|-----------|
| 20.012 | PN6 | EN-JS1030 | DN25-200 | 1.4581 (DN25-80) / EN-JS1030 (DN100-200) | 1.4021-QT |
| 21.012 | PN10 | EN-JS1030 | DN25-200 | | |
| 22.012 | PN16 | EN-JS1030 | DN25-200 | | |

| |
|--|
| Seat: EPDM (-10 °C to +100 °C) |
| Max. differential pressure: 6 bar (DN25-125) / 3 bar (DN150-200) |
| Actuation arrangement: • Electric actuator (Electric rotary actuator EA / Electric rotary actuator EA-SR) |
| (refer to page 6-7) |
| Test: DIN EN 12266-1 Leakage rate A (DIN 3230 T3 Leakage rate 1) • DVGW-Registration: EPDM DN25/32 – DN80 for water DW-6201BR0244, acc. to DIN EN 1074-1/-2 incl. disinfection inspection, DVGW VP646 and DVGW W270 for drinking water |

| Parts | | | | | |
|---------------|-------|-------------------------|---------------------------|-----------|--|
| Pos. | Sp.p. | Description | Fig. 20./21./22.012 (EA) | | |
| | | | DN 25-80 | DN100-200 | |
| 1 | | Body | EN-GJS-400-15, EN-JS1030 | | |
| 2 | | Seat | EPDM 73 | | |
| 3 | | Disc | GX5CrNiMoN19-11-2, 1.4581 | | EN-JS1030, EN-GJS-400-15 (Zinc lamella coating) |
| 4 | | Pivot | X20Cr13+QT, 1.4021+QT | | |
| 5 | | Stem | X20Cr13+QT, 1.4021+QT | | |
| 6 | | Taper pin | X6CrNiMoTi17 12 2, 1.4571 | | |
| 8 | x | Insulating cap | PA 6 | | |
| 9 | x | Gasket | CU | | |
| 10 | x | Hexagon head screw plug | 5.8-A2G | | |
| 11 | x | O-ring | EPDM | | |
| L Spare parts | | | | | |

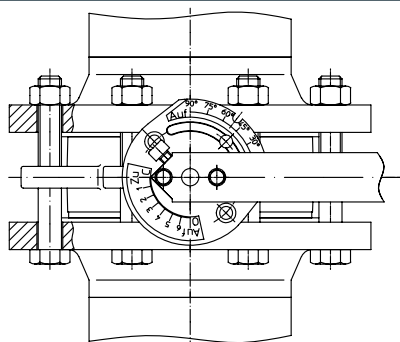
Information / restriction of technical rules need to be observed!

Operating and installation instructions can be downloaded at www.ari-armaturen.com.

The engineer, designing a system or a plant, is responsible for the selection of the correct valve.

Resistance and fitness must be verified (contact manufacturer for information, refer to Product overview and Resistance list).

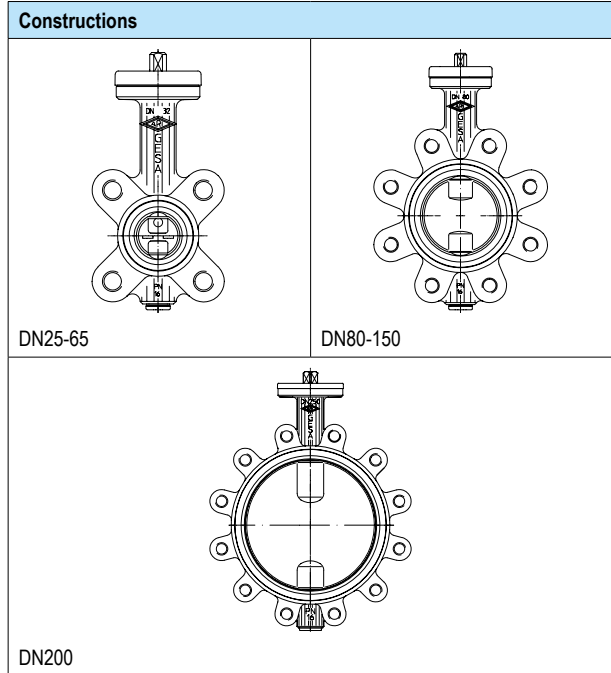
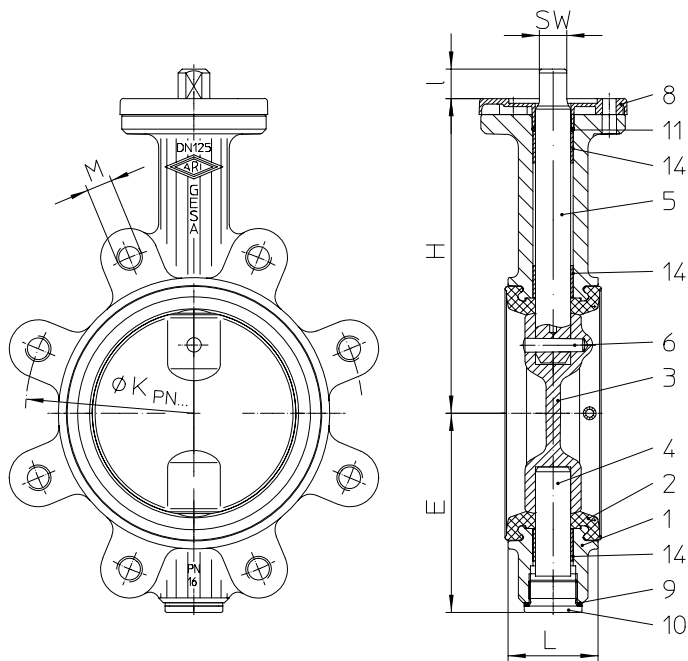
| DN | | 25 | 32 | 40 | 50 | 65 | 80 | 100 | 125 | 150 | 200 | |
|---|---------|--------|------|------|------|------|------|------|------|------|------|------|
| Face-to-face dimension FTF series 20 acc. to DIN EN 558-1 | | | | | | | | | | | | |
| L | (mm) | 33 | 33 | 33 | 43 | 46 | 46 | 52 | 56 | 56 | 60 | |
| Dimensions | | | | | | | | | | | | |
| I | (mm) | 15 | 15 | 15 | 15 | 15 | 15 | 18 | 18 | 18 | 18 | |
| H | (mm) | 128 | 128 | 134 | 140 | 150 | 158 | 179 | 196 | 212 | 246 | |
| E | (mm) | 58 | 58 | 66 | 69 | 81 | 100 | 109 | 124 | 140 | 167 | |
| SW | (mm) | 11 | 11 | 11 | 11 | 11 | 11 | 11 | 17 | 17 | 17 | |
| Kvs-value / Zeta-value Diagram refer to page 8. | | | | | | | | | | | | |
| Kvs-value | (m³/h) | 26 | 26,5 | 49,6 | 116 | 259 | 377 | 763 | 1030 | 1790 | 3460 | |
| Zeta-value | -- | 0,93 | 2,4 | 1,7 | 0,75 | 0,43 | 0,46 | 0,27 | 0,37 | 0,25 | 0,21 | |
| Weights | | | | | | | | | | | | |
| Fig. 20./21./22.012 | (kg) | 1,4 | 1,4 | 1,6 | 2 | 2,6 | 3,2 | 4 | 4,6 | 8,6 | 12,6 | |
| Standard-flange dimensions / Hexagon screw (Quantity, Thread, Length) | | | | | | | | | | | | |
| PN6 | ØK | (mm) | 75 | 90 | 100 | 110 | 130 | 150 | 170 | 200 | 225 | 280 |
| | n x Ød1 | (mm) | 4x11 | 4x14 | 4x14 | 4x14 | 4x14 | 4x18 | 4x18 | 8x18 | 8x18 | 8x18 |
| | Screws | (pcs.) | 4 | 4 | 4 | 4 | 4 | 4 | 4 | 8 | 8 | 8 |
| | Thread | | M10 | M12 | M12 | M12 | M12 | M16 | M16 | M16 | M16 | M16 |
| | Length | (mm) | 80 | 80 | 80 | 90 | 90 | 100 | 110 | 120 | 120 | 130 |
| PN10 | ØK | (mm) | 85 | 100 | 110 | 125 | 145 | 160 | 180 | 210 | 240 | 295 |
| | n x Ød1 | (mm) | 4x14 | 4x18 | 4x18 | 4x18 | 4x18 | 4x18 | 4x18 | 8x18 | 8x22 | 8x22 |
| | Screws | (pcs.) | 4 | 4 | 4 | 4 | 4 | 8 | 8 | 8 | 8 | 8 |
| | Thread | | M12 | M16 | M16 | M16 | M16 | M16 | M16 | M16 | M20 | M20 |
| | Length | (mm) | 90 | 90 | 90 | 100 | 110 | 110 | 120 | 130 | 130 | 140 |
| PN16 | ØK | (mm) | 85 | 100 | 110 | 125 | 145 | 160 | 180 | 210 | 240 | 295 |
| | n x Ød1 | (mm) | 4x14 | 4x18 | 4x18 | 4x18 | 4x18 | 4x18 | 4x18 | 8x18 | 8x22 | 8x22 |
| | Screws | (pcs.) | 4 | 4 | 4 | 4 | 4 | 8 | 8 | 8 | 8 | 12 |
| | Thread | | M12 | M16 | M16 | M16 | M16 | M16 | M16 | M16 | M20 | M20 |
| | Length | (mm) | 90 | 90 | 90 | 100 | 110 | 110 | 120 | 130 | 130 | 140 |
| 1) DN 25/32 suitable for flanges PN16 / DN 20 | | | | | | | | | | | | |

Mounting variations


ZESA®-Wafer-type-valve

Welding neck flanges
 PN 6 / PN 10 / PN 16
 DIN EN 1092-1 / 11 / B1
 Hexagon screw
 DIN EN ISO 4016 W.-No. 4.6
 Hexagon nut
 DIN EN ISO 4034 W.-No. 5

| Pressure-temperature-ratings | | Intermediate values for max. permissible operational pressures can be determined by linear interpolation of the given temperature / pressure chart. | | | |
|------------------------------|----|---|----------------|-------|-------|
| acc. to DIN EN 1092-2 | PN | | -10°C to 120°C | 130°C | 150°C |
| EN-JS1030 | 16 | (bar) | 16 | 15,8 | 15,5 |

Butterfly valve with threaded eyelets (SG iron)


| Figure | Nominal pressure | Material | Nominal diameter | Disc | Stem |
|--------|------------------|-----------|------------------|---|-----------|
| 21.013 | PN10 | EN-JS1030 | DN25-200 | 1.4581 (DN25-80) / EN-JS1030 (DN100-200) | 1.4021-QT |
| 22.013 | PN16 | EN-JS1030 | DN25-200 | | |

| | |
|---|---|
| Seat: | |
| EPDM (- 10 °C to + 100 °C) | |
| Max. differential pressure: | |
| 6 bar (DN25-125) / 3 bar (DN150-200) | |
| Actuation arrangement: (refer to page 6-7) | |
| • Electric actuator (Electric rotary actuator EA / Electric rotary actuator EA-SR) | |
| Test: | |
| Sealing leakage test: | • DIN EN 12266-1 Leakage rate A (DIN 3230 T3 Leakage rate 1) |
| DVGW-Registration: | • EPDM for water DW-6201BR0244, acc. to DIN EN 1074-1/-2 incl. disinfection inspection, DVGW VP646 and DVGW W270 for drinking water |

| Parts | | | Fig. 21. / 22.013 (EA) | |
|-------|-------|-------------------------|---------------------------|--|
| Pos. | Sp.p. | Description | DN 25-80 | DN100-200 |
| 1 | | Body | EN-GJS-400-15, EN-JS1030 | |
| 2 | | Seat | EPDM 73 | |
| 3 | | Disc | GX5CrNiMoN19-11-2, 1.4581 | EN-JS1030, EN-GJS-400-15 (Zinc lamella coating) |
| 4 | | Pivot | X20Cr13+QT, 1.4021+QT | |
| 5 | | Stem | X20Cr13+QT, 1.4021+QT | |
| 6 | | Taper pin | X6CrNiMoTi17 12 2, 1.4571 | |
| 8 | x | Insulating cap | PA 6 | |
| 9 | x | Gasket | CU | |
| 10 | x | Hexagon head screw plug | 5.8-A2G | |
| 11 | x | O-ring | EPDM | |
| 14 | | Parallel bush | P1 | |
| | | L Spare parts | | |

Information / restriction of technical rules need to be observed!

Operating and installation instructions can be downloaded at www.ari-armaturen.com.

The engineer, designing a system or a plant, is responsible for the selection of the correct valve.

Resistance and fitness must be verified (contact manufacturer for information, refer to Product overview and Resistance list).

| | | | | | | | | | | | |
|----|--|----|----|----|----|----|----|-----|-----|-----|-----|
| DN | | 25 | 32 | 40 | 50 | 65 | 80 | 100 | 125 | 150 | 200 |
|----|--|----|----|----|----|----|----|-----|-----|-----|-----|

| Face-to-face dimension FTF series 20 acc. to DIN EN 558-1 | | | | | | | | | | | |
|---|------|----|----|----|----|----|----|----|----|----|----|
| L | (mm) | 33 | 33 | 33 | 43 | 46 | 46 | 52 | 56 | 56 | 60 |

| Dimensions | | | | | | | | | | | |
|------------|------|-----|-----|-----|-----|-----|-----|-----|-----|-----|-----|
| I | (mm) | 15 | 15 | 15 | 15 | 15 | 15 | 15 | 18 | 18 | 18 |
| H | (mm) | 128 | 128 | 134 | 140 | 150 | 158 | 179 | 196 | 212 | 246 |
| E | (mm) | 58 | 58 | 66 | 69 | 81 | 100 | 109 | 124 | 140 | 167 |
| SW | (mm) | 11 | 11 | 11 | 11 | 11 | 11 | 11 | 17 | 17 | 17 |

| Kvs-value / Zeta-value | | | | | | | | | | | Diagram refer to page 8. |
|------------------------|--------|------|------|------|------|------|------|------|------|------|--------------------------|
| Kvs-value | (m³/h) | 26 | 26,5 | 49,6 | 116 | 259 | 377 | 763 | 1030 | 1790 | 3460 |
| Zeta-value | -- | 0,93 | 2,4 | 1,7 | 0,75 | 0,43 | 0,46 | 0,27 | 0,37 | 0,25 | 0,21 |

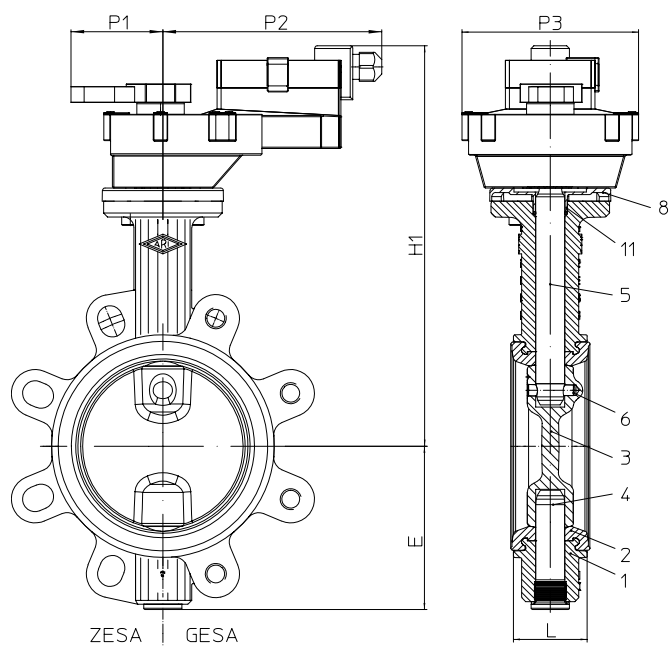
| Standard-flange dimensions / Hexagon screw (Quantity, Thread, Length) | | | | | | | | | | | | | |
|---|---------|--------|-------|-------|-------|-------|-------|-------|-------|-------|-------|--------|-----|
| PN10 | ØK | (mm) | 85 | 100 | 110 | 125 | 145 | 160 | 180 | 210 | 240 | 295 | |
| | n x M | (mm) | 4xM12 | 4xM16 | 4xM16 | 4xM16 | 4xM16 | 8xM16 | 8xM16 | 8xM16 | 8xM20 | 8xM20 | |
| | Screws | (pcs.) | 8 | 8 | 8 | 8 | 8 | 16 | 16 | 16 | 16 | 16 | |
| | Thread | | M12 | M16 | M16 | M16 | M16 | M16 | M16 | M16 | M16 | M20 | M20 |
| | Length | (mm) | 30 | 30 | 30 | 35 | 35 | 40 | 40 | 45 | 45 | 50 | |
| PN16 | ØK | (mm) | 85 | 100 | 110 | 125 | 145 | 160 | 180 | 210 | 240 | 295 | |
| | n x Ød1 | (mm) | 4xM12 | 4xM16 | 4xM16 | 4xM16 | 4xM16 | 8xM16 | 8xM16 | 8xM16 | 8xM20 | 12xM20 | |
| | Screws | (pcs.) | 8 | 8 | 8 | 8 | 8 | 16 | 16 | 16 | 16 | 24 | |
| | Thread | | M12 | M16 | M16 | M16 | M16 | M16 | M16 | M16 | M16 | M20 | M20 |
| | Length | (mm) | 30 | 30 | 30 | 35 | 35 | 40 | 40 | 45 | 45 | 50 | |

| Weights | | | | | | | | | | | |
|---------------------|------|-----|-----|---|-----|-----|-----|-----|-----|----|------|
| Fig. 20./21./22.013 | (kg) | 1,8 | 1,8 | 2 | 2,8 | 3,2 | 4,8 | 6,2 | 8,8 | 11 | 15,6 |

| Mounting variations | |
|------------------------|--|
| | <p>Welding neck flanges PN 10 / PN 16 DIN EN 1092-1 / 11 / B1 (for slip-on-flanges acc. to DIN EN 1092-1 use ZIVA) Hexagon screw DIN EN ISO 4016 W.-No. 4.6</p> |
| GESA®-Wafer-type-valve | |

| Pressure-temperature-ratings | | Intermediate values for max. permissible operational pressures can be determined by linear interpolation of the given temperature / pressure chart. | | | |
|------------------------------|----|---|----------------|-------|-------|
| acc. to DIN EN 1092-2 | PN | | -10°C to 120°C | 130°C | 150°C |
| EN-JS1049 | 16 | (bar) | 16 | 15,8 | 15,5 |

Butterfly valve with electric rotary actuator



| |
|--|
| Type: EA |
| <ul style="list-style-type: none"> • Enclosure IP 54 • Manual operating device Technical data for actuator refer to page 10. |
| Voltages: |
| <ul style="list-style-type: none"> • Open/close or 3-point (EA1/EA2) 230V 50/60Hz or 24V AC/DC • Modulating 0(2)-10V (EA1Y/EA2Y) 24V AC/DC |
| Accessories: |
| <ul style="list-style-type: none"> • box with 2 limit switches for signalisation |

For connection refer to terminal connection in the operating instructions of the actuator !

| DN | 25 | 32 | 40 | 50 | 65 | 80 | 100 | 125 | 150 | 200 |
|----|----|----|----|----|----|----|-----|-----|-----|-----|
|----|----|----|----|----|----|----|-----|-----|-----|-----|

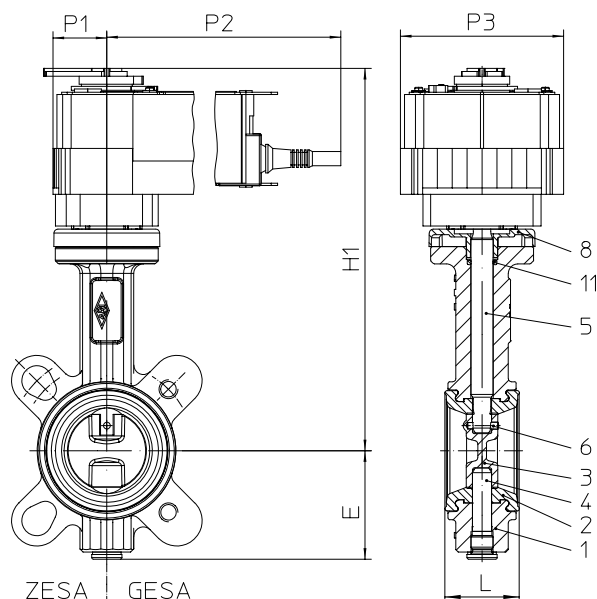
| Actuator | | | | | | | | | | | |
|-------------------------------------|-----|--|--|--|--|--|--|--|-----|-----|-----|
| Type of actuator $\Delta P = 6$ bar | | | | | | | | | EA1 | EA2 | -- |
| Type of actuator $\Delta P = 3$ bar | | | | | | | | | -- | | EA2 |
| Operating time | (s) | | | | | | | | 90 | | 150 |

| Dimensions | | | | | | | | | | | |
|------------|------|--------------------------------|-----|-----|-----|-----|-----|-----|-----|-----|-----|
| H1 | (mm) | 212 | 212 | 218 | 224 | 234 | 242 | 263 | 293 | 309 | 343 |
| P1 | (mm) | 70 (with lever extension: 176) | | | | | | | 69 | | |
| P2 | (mm) | 142 | | | | | | | 166 | | |
| P3 | (mm) | 95 | | | | | | | 134 | | |

| Weights | | | | | | | | | | | |
|----------|------|-----|-----|-----|-----|-----|-----|-----|------|------|------|
| ZESA® EA | (kg) | 2,4 | 2,4 | 2,6 | 3 | 3,6 | 4,2 | 5 | 8,3 | 10,3 | 14,3 |
| GESA® EA | (kg) | 2,8 | 2,8 | 3 | 3,8 | 4,2 | 5,8 | 7,2 | 10,7 | 12,9 | 16,2 |

Operating and installation instructions can be downloaded at www.ari-armaturen.com.

Butterfly valve with electric rotary actuator



| |
|---|
| Type: EA-SR |
| <ul style="list-style-type: none"> • Enclosure IP 54 • 2 limit switches for signalisation • Reset to start on failure (Spring closes on electrical power failure / NC) |
| Technical data for actuator refer to page 10. |
| Voltages: |
| <ul style="list-style-type: none"> • 230V 50/60Hz (Auf/Zu) • 24V AC/DC (Auf/Zu) |
| For connection refer to terminal connection in the operating instructions of the actuator ! |

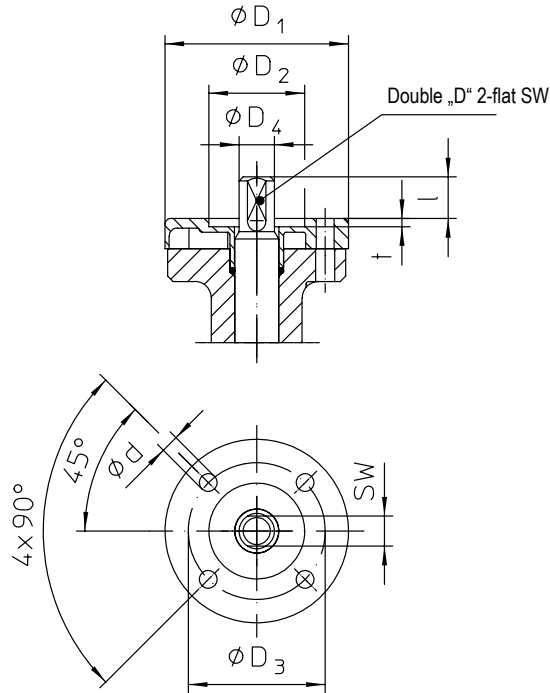
| | | | | | | | |
|----|----|----|----|----|----|----|-----|
| DN | 25 | 32 | 40 | 50 | 65 | 80 | 100 |
|----|----|----|----|----|----|----|-----|

| | |
|-------------------------------------|--|
| Actuator | |
| Type of actuator $\Delta P = 6$ bar | EA-SR |
| Operating time (s) | 230V 50/60Hz: 75 (on electrical power failure: 20 s) / 24V AC/DC: 90 (on electrical power failure: 20 s) |

| | | | | | | | | |
|-------------------|------|-----|-----|-----|-----|-----|-----|-----|
| Dimensions | | | | | | | | |
| H1 | (mm) | 229 | 229 | 235 | 241 | 251 | 259 | 280 |
| P1 | (mm) | 32 | | | | | | |
| P2 | (mm) | 222 | | | | | | |
| P3 | (mm) | 103 | | | | | | |

| | | | | | | | | |
|----------------|------|-----|-----|-----|-----|-----|-----|-----|
| Weights | | | | | | | | |
| ZESA® EA-SR | (kg) | 3,6 | 3,6 | 3,8 | 4,2 | 4,8 | 5,4 | 6,2 |
| GESA® EA-SR | (kg) | 4 | 4 | 4,2 | 6,6 | 5,4 | 7 | 8,4 |

Operating and installation instructions can be downloaded at www.ari-armaturen.com.

Actuator flange connection


| DN | 25 | 32 | 40 | 50 | 65 | 80 | 100 | 125 | 150 | 200 |
|---------------------------|-------------------|----|----|----|----|----|-----|-------------------|-----|-----|
| Connection EN ISO 5211 | F 05 | | | | | | | F 07 | | |
| Double „D“ 2-flat SW (mm) | 11 _{d11} | | | | | | | 17 _{d11} | | |
| Ød (mm) | 7 | | | | | | | 9 | | |
| ØD ₁ (mm) | 65 | | | | | | | 90 | | |
| ØD ₂ (mm) | 35 ^{H10} | | | | | | | 55 ^{H10} | | |
| ØD ₃ (mm) | 50 | | | | | | | 70 | | |
| ØD ₄ (mm) | 12,9 | | | | | | | 19,7 | | |
| l (mm) | 15 | | | | | | | 18 | | |
| t (mm) | 3 | | | | | | | 3 | | |

Please indicate when ordering:

- Figure-No.
- Nominal pressure
- Nominal diameter
- Soft seal seat material
- Stem / disc material
- Actuator
- Special design / accessories

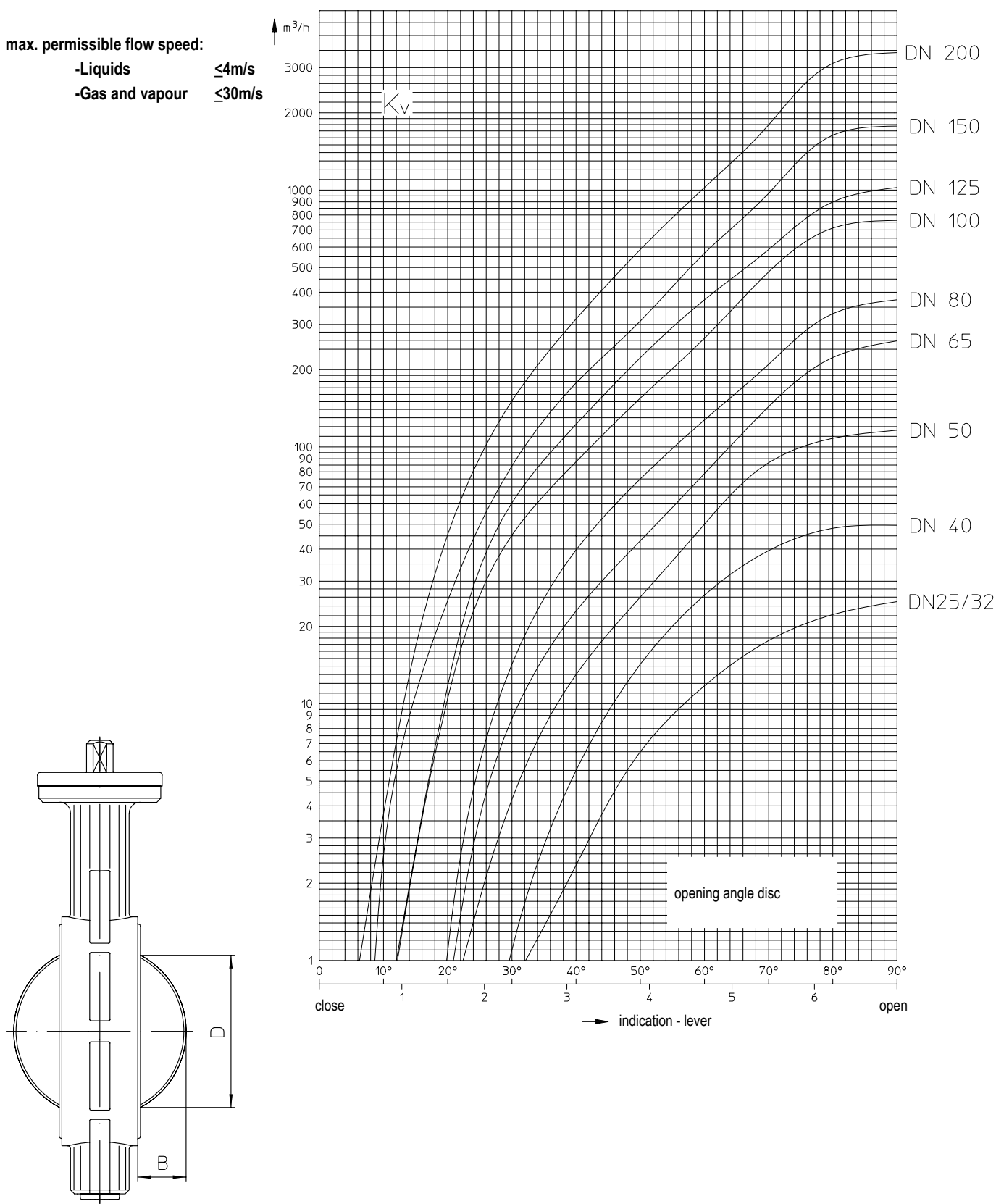
Example:

Figure 22.012; nominal pressure PN16; nominal diameter DN80; seat of EPDM, disc/stem of 1.4581/1.4021, with actuator EA.

| Kvs-value / Zeta-value | | 25 | 32 | 40 | 50 | 65 | 80 | 100 | 125 | 150 | 200 |
|------------------------|--------|------|------|------|------|------|------|------|------|------|------|
| DN | | 25 | 32 | 40 | 50 | 65 | 80 | 100 | 125 | 150 | 200 |
| Kvs-value | (m³/h) | 26 | 26,5 | 49,6 | 116 | 259 | 377 | 763 | 1030 | 1790 | 3460 |
| Zeta-value | -- | 0,93 | 2,4 | 1,7 | 0,75 | 0,43 | 0,46 | 0,27 | 0,37 | 0,25 | 0,21 |

max. permissible flow speed:

- Liquids $\leq 4\text{m/s}$
- Gas and vapour $\leq 30\text{m/s}$



| Difference between disc outside-diameter and face-to-face | | 25 | 32 | 40 | 50 | 65 | 80 | 100 | 125 | 150 | 200 |
|---|------|----|----|----|----|----|----|-----|-----|-----|-----|
| B | (mm) | -- | -- | 5 | 5 | 11 | 18 | 25 | 36 | 48 | 71 |
| D | (mm) | -- | -- | 26 | 29 | 49 | 68 | 88 | 115 | 142 | 194 |

| Type | | | EA1-230V | EA1-24V | EA1Y-24V | EA2-230V | EA2-24V | EA2Y-24V |
|--------------------------------------|-----------------|------|---|-----------------------|----------------------|-----------------------|-----------------------|--|
| Motor voltage | | | 230V 50/60 Hz | 24V 50/60Hz or 24V DC | | 230V 50/60Hz | 24V 50/60Hz or 24V DC | |
| Power consumption | in operation | (W) | 2,5 W | 2 W | | 4 W | 4,5 W | |
| | at rest | (W) | 0,4 W | 0,2 W | | 2 W | 2 W | |
| | for wire sizing | (VA) | 6 VA | 4 VA | | 7 VA | 7 VA | |
| Operating time | | | (s) | | | 90 s | 150 s | |
| Enclosure | | | DIN VDE 0470 | | IP 54 | IP 54 | | |
| Protection class | | | DIN VDE 0140-1 | | II totally insulated | III extra low voltage | | II totally insulated III extra low voltage |
| Control signal (input) | | | open/close or 3-point | | Modulating 0(2)-10V | open/close or 3-point | | Modulating 0(2)-10V |
| Max. permissible ambient temperature | | | 0 to +50°C | | | 0 to +50°C | | |
| Max. non-operating temperature | | | -40 to +80°C | | | -40 to +80°C | | |
| Ambient humidity range | | | 95% r.H., non-condensating (acc. to DIN EN 60730-1) | | | | | |
| Top mounted handwheel | | | Gearing latch disengaged with pushbutton | | | | | |
| EMV Low Voltage Directive | | | CE acc. to 89/336/EWG, 73/23/EWG | | | | | |
| Operation mode | | | Type 1 (acc. to DIN EN 60730-1) | | | | | |

| Weight | | | | | | |
|--------|------|-----|------|------|-----|--|
| Weight | (kg) | 1,0 | 0,55 | 1,85 | 2,5 | |

| Accessories | |
|--------------|---|
| Limit switch | Box with 2 limit switches for signalisation |

| Type | | | EA-SR-230V | EA-SR-24V |
|--------------------------------------|-----------------|------|---|------------------------------------|
| Motor voltage | | | 230V 50/60Hz | 24V 50/60Hz or 24V DC |
| Power consumption | motoring | (W) | 6,5 W | 5,5 W |
| | holding | (W) | 3,5 W | 3 W |
| | for wire sizing | (VA) | 18 VA | 8,5 VA |
| Operating time | open | (s) | 75 s | 90 s |
| | close | (s) | 20 s (on electrical power failure) | 20 s (on electrical power failure) |
| Enclosure | | | DIN VDE 0470 IP 54 | |
| Protection class | | | DIN VDE 0140-1 II totally insulated III extra low voltage / UL Class 2 Supply | |
| Control signal (input) | | | open/close | |
| Limit switch | | | 2 limit switches for signalisation (2 x EPU 6 (3) A, AC 250 V) | |
| Max. permissible ambient temperature | | | -30 to +50°C | |
| Max. storage temperature | | | -40 to +80°C | |
| Top mounted handwheel | | | Handwheel | |
| EMV Low Voltage Directive | | | CE acc. to 2004/108/EG, 2006/95/EG | |

| Weight | | |
|--------|------|-----|
| Weight | (kg) | 2,2 |