



KEYSTONE FIGURE 55 DOUBLE FLANGED BUTTERFLY VALVE

Double flanged valve design for services in the water treatment industry



FEATURES

- The centric disc offers bidirectional service and allows with its symmetric shape high K_v (C_v) values.
- Dry shaft design.
- The inside body is protected by a bonded rubber liner extending over the flanges.
- Primary stem sealing by preloaded contact between flatted seat surface and rounded polished disc-hub area exceeds the pressure rating of the valve and prevents leakage through shaft area to atmosphere.
- A secondary sealing is provided by the interference fit between shaft and shafthole in seat at all positions.
- Dirtscraper prevents moisture penetrating into the shaft area.
- Bubble-tight shut off at full pressure rating.
- Rounded, polished disc edge provides concentric sealing.
- Actuator flange acc. ISO 5211.
- Double flanged body design per EN 558 series 13 (short), series 14 (long) on request.
- Excellent performance in media with sedimentation and contamination.
- Suitable for severe vacuum applications and up to 16 bar (230 psi) drop tight shut off.
- Flat facing for GRP flanges as option.

GENERAL APPLICATION

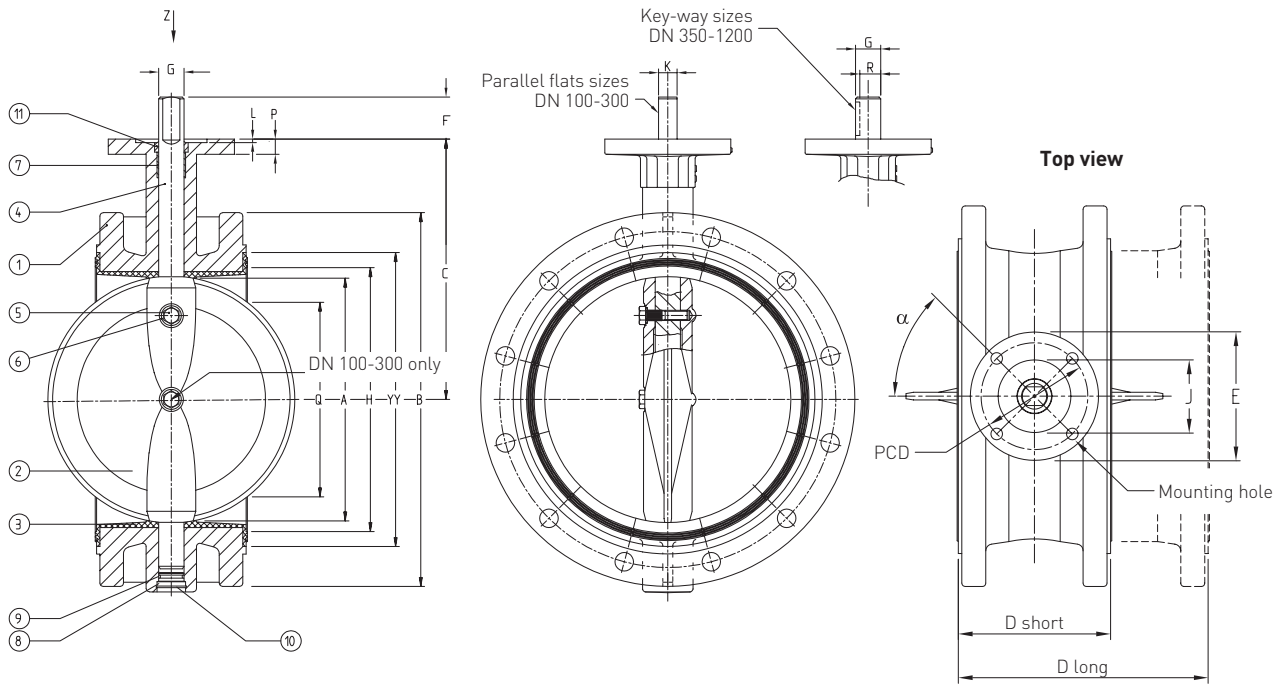
- Waterwork industries where a double flanged valve is required.
- Fire fighting systems.
- Sea water applications.
- For drinking water applications a certified EPDM compound and certified coatings available.
- Approvals: KIWA, KTW, WRC, PED/CE, FDA.

TECHNICAL DATA

Sizes:	DN 100 - 1200 (NPS 4 - 48)
Pressure:	16 bar (230 psi)
Temperature:	PED: -10 °C to 120 °C (14 °F to 248 °F) Non-PED: -40 °C to 120 °C (-40 °F to 248 °F)
Flange accommodation:	PN 10/16 ASME 150 ISO, JIS, BS, API

KEYSTONE FIGURE 55 DOUBLE FLANGED BUTTERFLY VALVE

VALVE DATA - METRIC



VALVE DIMENSIONS (mm)

Size	B				D				Stemhead				Actuator flange according ISO 5211						Mass (kg)						
	A	ISO PN 10	ISO PN 16	C	ISO short	ISO long	H	YY	Q	F	G	K	R	Key-size ^[1]	Type	E	J	L	P	PCD	Hole dia	No of holes	α	ISO short	ISO long
100	100	220	220	180	127	-	116	138	-	30	16	11	-	-	F-07	90	55	4	12	70	9.0	4	45.0	18	-
150	151	285	285	210	140	210	168	192	61	30	20	14	-	-	F-07	90	55	4	12	70	9.0	4	45.0	24	28
200	196	340	340	240	152	230	209	245	130	50	25	18	-	-	F-12	150	85	4	18	125	13.5	4	45.0	35	41
250	246	405	405	275	165	250	264	300	189	50	30	22	-	-	F-12	150	85	4	18	125	13.5	4	45.0	50	59
300	293	445	460	310	178	270	314	350	243	50	30	22	-	-	F-12	150	85	4	18	125	13.5	4	45.0	65	77
350	325	505	520	325	190	290	364	400	267	70	35	-	30.0	10x8	F-12	150	85	4	18	125	13.5	4	45.0	90	106
400	380	565	580	360	216	310	412	450	316	70	40	-	35.0	12x8	F-16	210	130	6	25	165	22.0	4	45.0	120	138
450	440	615	640	395	222	330	466	505	377	70	40	-	35.0	12x8	F-16	210	130	6	25	165	22.0	4	45.0	145	170
500	486	670	715	430	229	350	517	555	432	70	50	-	44.5	14x9	F-16	210	130	6	25	165	22.0	4	45.0	170	202
550	535	730	775	475	267	357	567	605	468	70	50	-	44.5	14x9	F-16	210	130	6	25	165	22.0	4	45.0	210	247
600	586	780	840	500	267	390	617	655	525	70	50	-	44.5	14x9	F-16	210	130	6	25	165	22.0	4	45.0	250	292
700	685	895	910	570	292	[430]	722	760	624	100	70	-	62.5	20x12	F-25	300	200	6	30	254	17.5	8	22.5	385	[455]
750	735	965	970	605	318	[450]	772	810	667	100	70	-	62.5	20x12	F-25	300	200	6	30	254	17.5	8	22.5	485	[537]
800	785	1015	1025	640	318	[470]	838	866	722	100	70	-	62.5	20x12	F-25	300	200	6	30	254	17.5	8	22.5	536	[628]
900	885	1115	1125	715	330	[510]	937	975	825	100	80	-	71.0	22x14	F-25	300	200	6	30	254	17.5	8	22.5	726	[854]
1000	985	1230	1255	780	410	[550]	1028	1066	900	129	90	-	81.0	25x14	F-30	350	230	6	35	298	22.0	8	22.5	1040	[1161]
1100	1085	1345	1370	870	470	[630]	1141	1179	980	129	100	-	90.0	28x16	F-30	350	230	6	35	298	22.0	8	22.5	1230	[1370]
1200	1185	1455	1485	920	470	[630]	1241	1279	1093	129	100	-	90.0	28x16	F-30	350	230	6	35	298	22.0	8	22.5	1419	[1601]

1. Keysize width x height

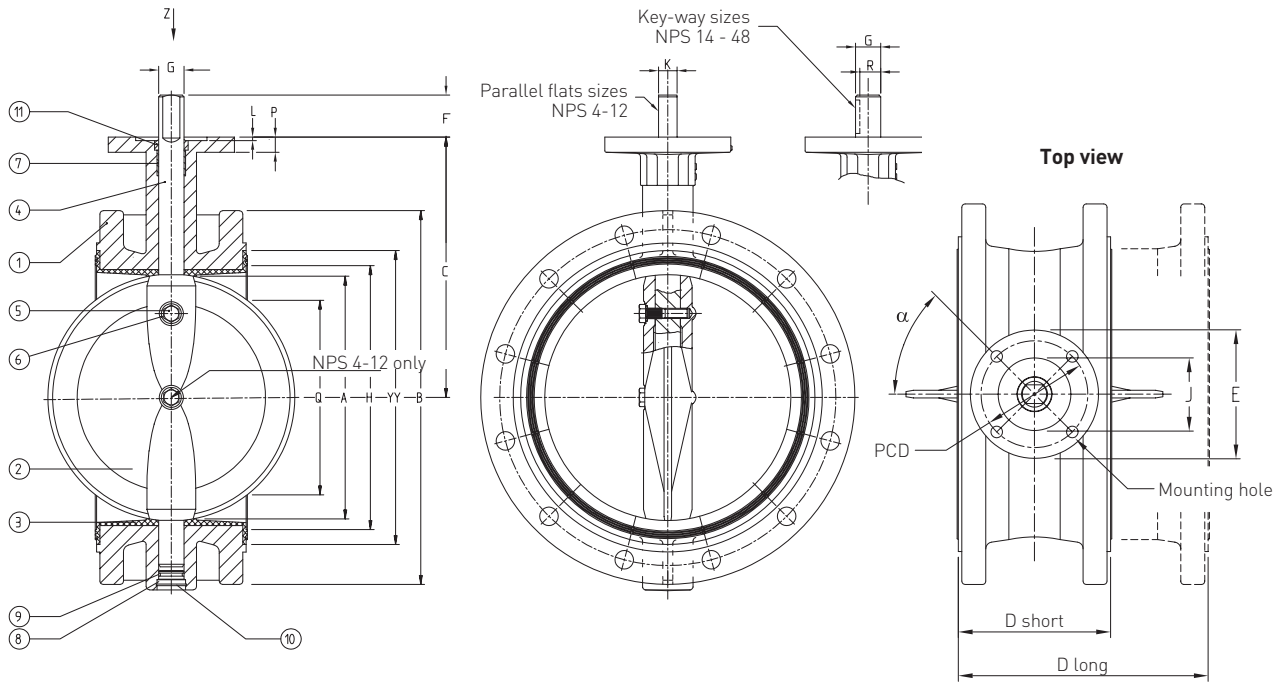
NOTES

- Dimension B is according PN 10/16 EN 1092-2. For DN 550: ISO 2084.
- Flange accommodation must be specified when ordering.
- Valve shown is the DN 300 ISO short.
- Flange dimensions and mass will vary with flange accommodations.
- Q is the disc chordal dimension at face of valve for disc clearance into pipe fitting or equipment.
- ISO long larger than DN 600 is available on request.

Part	Name	Part	Name
1.	Body	7.	Bushing
2.	Disc	8.	Plug
3.	Seat	9.	O-ring
4.	Shaft	10.	Circlip
5.	Disc-screw	11.	Dirt scraper
6.	O-ring		

KEYSTONE FIGURE 55 DOUBLE FLANGED BUTTERFLY VALVE

VALVE DATA - IMPERIAL



VALVE DIMENSIONS (inch)

Size NPS	B				D				Stemhead				Actuator flange according ISO 5211						Mass (lbs)						
	A	ISO PN 10	ISO PN 16	C	ISO short	ISO long	H	YY	Q	F	G	K	R	Keysize ⁽¹⁾	Type	E	J	L	P	PCD	Hole dia	No of holes	alpha	ISO short	ISO long
4	3.94	8.67	8.67	7.09	5.00	-	4.57	5.44	-	1.19	0.6299	0.4331	-	-	F-07	3.55	2.166	0.15	0.47	2.76	0.35	4	45	40	-
6	5.94	11.23	11.23	8.27	5.51	8.27	6.61	7.56	2.41	1.19	0.7874	0.5512	-	-	F-07	3.55	2.166	0.15	0.47	2.76	0.35	4	45	53	62
8	7.72	13.39	13.39	9.45	5.98	9.06	8.23	9.65	5.12	1.97	0.9843	0.7087	-	-	F-12	5.91	3.347	0.15	0.71	4.92	0.53	4	45	77	90
10	9.69	15.95	15.95	10.83	6.50	9.84	10.39	11.82	7.45	1.97	1.1811	0.8661	-	-	F-12	5.91	3.347	0.15	0.71	4.92	0.53	4	45	110	130
12	11.54	17.52	18.12	12.21	7.01	10.63	12.36	13.78	9.57	1.97	1.1811	0.8661	-	-	F-12	5.91	3.347	0.15	0.71	4.92	0.53	4	45	143	170
14	12.80	19.89	20.48	12.80	7.48	11.42	14.33	15.75	10.52	2.76	1.3780	-	1.181	0.394 x 0.315	F-12	5.91	3.347	0.15	0.71	4.92	0.53	4	45	198	234
16	14.96	22.25	22.84	14.18	8.50	12.20	16.22	17.72	12.45	2.76	1.5748	-	1.378	0.472 x 0.315	F-16	8.27	5.119	0.23	0.98	6.50	0.87	4	45	265	304
18	17.32	24.22	25.20	15.56	8.74	12.99	18.35	19.89	14.85	2.76	1.5748	-	1.378	0.472 x 0.315	F-16	8.27	5.119	0.23	0.98	6.50	0.87	4	45	320	375
20	19.13	26.38	28.15	16.93	9.02	13.78	20.35	21.86	17.01	2.76	1.9685	-	1.752	0.551 x 0.354	F-16	8.27	5.119	0.23	0.98	6.50	0.87	4	45	375	445
22	21.06	28.75	30.52	18.71	10.51	14.06	22.32	23.82	18.43	2.76	1.9685	-	1.752	0.551 x 0.354	F-16	8.27	5.119	0.23	0.98	6.50	0.87	4	45	463	545
24	23.07	30.71	33.08	19.69	10.51	15.35	24.29	25.79	20.67	2.76	1.9685	-	1.752	0.551 x 0.354	F-16	8.27	5.119	0.23	0.98	6.50	0.87	4	45	551	644
28	26.97	35.24	35.83	22.45	11.50	[16.93]	28.43	29.93	24.57	3.94	2.7559	-	2.461	0.787 x 0.472	F-25	11.82	7.875	0.23	1.18	10.00	0.69	8	22.5	849	[1003]
30	28.94	38.00	38.19	23.82	12.52	[17.72]	30.39	31.89	26.26	3.94	2.7559	-	2.461	0.787 x 0.472	F-25	11.82	7.875	0.23	1.18	10.00	0.69	8	22.5	1069	[1184]
32	30.91	39.97	40.36	25.20	12.52	[18.50]	32.99	34.10	28.43	3.94	2.7559	-	2.461	0.787 x 0.472	F-25	11.82	7.875	0.23	1.18	10.00	0.69	8	22.5	1182	[1385]
36	34.84	43.90	44.30	28.15	12.99	[20.08]	36.89	38.39	32.49	3.94	3.1496	-	2.795	0.866 x 0.551	F-25	11.82	7.875	0.23	1.18	10.00	0.69	8	22.5	1601	[1883]
40	38.78	48.43	49.41	30.71	16.14	[21.65]	40.47	41.97	35.44	5.08	3.5433	-	3.189	0.984 x 0.551	F-30	13.78	9.056	0.23	1.38	11.73	0.87	8	22.5	2293	[2560]
44	42.72	52.96	53.94	34.26	18.50	[24.80]	44.92	46.42	38.59	5.08	3.9370	-	3.543	1.102 x 0.630	F-30	13.78	9.056	0.23	1.38	11.73	0.87	8	22.5	2712	[3020]
48	46.65	57.29	58.47	36.23	18.50	[24.80]	48.86	50.36	43.04	5.08	3.9370	-	3.543	1.102 x 0.630	F-30	13.78	9.056	0.23	1.38	11.73	0.87	8	22.5	3128	[3530]

1. Keysize width x height

NOTES

- Dimension B is according PN 10/16 EN 1092-2. For NPS 22: ISO 2084.
- Flange accommodation must be specified when ordering.
- Valve shown is the NPS 12 ISO short.
- Flange dimensions and mass will vary with flange accommodations.
- Q is the disc chordal dimension at face of valve for disc clearance into pipe fitting or equipment.
- ISO long larger than NPS 24 is available on request.

Part Name	Part Name
1. Body	7. Bushing
2. Disc	8. Plug
3. Seat	9. O-ring
4. Shaft	10. Circlip
5. Disc-screw	11. Dirt scraper
6. O-ring	

KEYSTONE FIGURE 55 DOUBLE FLANGED BUTTERFLY VALVE

VALVE DATA - METRIC

K_v VALUES

Disc opening	Size DN																	
	100	150	200	250	300	350	400	450	500	550	600	700	750	800	900	1000	1100	1200
10°	5	15	21	33	49	119	155	196	242	293	349	475	545	620	785	969	1173	1396
20°	25	52	95	155	220	304	397	503	621	751	894	1216	1396	1589	2011	2483	3004	3576
30°	54	120	220	340	510	637	832	1053	1300	1573	1871	2547	2924	3327	4211	5197	6288	7484
40°	95	220	380	610	860	1142	1492	1888	2331	2821	3357	4569	5245	5968	7553	9325	11283	13428
50°	150	340	590	950	1460	1936	2529	3200	3951	4781	5689	7744	8890	10114	12801	15803	19121	22756
60°	240	550	950	1550	2320	3110	4062	5141	6347	7680	9140	12440	14281	16248	20564	25389	30720	36560
70°	400	950	1550	2580	3780	5010	6544	8288	10224	12371	14723	20040	23005	26174	33127	40897	49485	58892
80°	620	1380	2410	3960	5850	7969	11714	14826	18303	22147	26357	35875	41183	46857	59303	73214	88588	105428
90°	710	1630	2840	4640	6880	10407	13592	17203	21238	25698	30583	41626	47785	54369	68811	84953	102792	122332

NOTE

1. Rated K_v = the volume of water in m³/hr that will pass through a given valve opening at a pressure drop of 1 bar.

MAXIMUM ALLOWABLE SHAFT TORQUES (Nm)

Shaft material	Size DN																	
	100	150	200	250	300	350	400	450	500	550	600	700	750	800	900	1000	1100	1200
Stainless steel	160	320	545	970	970	1760	2012	3472	3858	3858	6587	7685	8234	8782	15949	22956	29843	29843

NOTES

1. The given maximum allowable torques are applicable for standard type valves.
2. In ISO 5211 a table is listed representing the maximum torques which can be transmitted through the mounting flange. If the maximum transmittable torque is lower than the allowable shaft torque, please contact factory.

DYNAMIC TORQUE FACTORS F_T FOR METRIC UNITS

Disc opening	Size DN																	
	100	150	200	250	300	350	400	450	500	550	600	700	750	800	900	1000	1100	1200
10°	2.7	6.1	13	28	39	-	-	-	-	-	-	-	-	-	-	-	-	-
20°	3.4	8.7	20	40	61	21	32	46	63	83	108	172	211	256	365	500	665	864
30°	4.8	13	30	61	95	64	96	137	188	250	324	515	633	768	1094	1500	1198	2592
40°	6.4	20	47	94	153	124	186	264	363	483	626	995	1223	1485	2114	2900	3860	5011
50°	10	30	71	141	230	236	352	501	688	915	1188	1887	2320	2816	4010	5500	7320	9504
60°	15	48	112	220	380	416	621	884	1213	1614	2095	3327	4092	4966	7071	9700	12911	16762
70°	24	76	176	350	610	733	1094	1558	2138	2845	3694	5865	7214	8755	12466	17100	22760	29549
80°	34	112	260	520	890	1346	2010	2861	3925	5224	6782	10770	13247	16077	22891	31400	41793	54259

NOTES

1. Dynamic operating torque formula:

$$T_D = F_T \times \Delta P$$

T_D = Dynamic torque (Nm)

ΔP = Pressure drop across disc at desired disc-opening (bar)

F_T = Dynamic torque factor (see table)

2. The above mentioned dynamic torque includes all frictional resistances.
3. The dynamic torque is tending to close the disc.

KEYSTONE FIGURE 55 DOUBLE FLANGED BUTTERFLY VALVE

VALVE DATA - IMPERIAL

C_v VALUES

Disc opening	Size NPS																	
	4	6	8	10	12	14	16	18	20	22	24	28	30	32	36	40	44	48
10°	6	17	24	38	57	138	179	227	280	339	403	549	630	717	908	1120	1356	1614
20°	29	60	110	179	254	351	459	582	718	868	1034	1406	1614	1837	2325	2871	3473	4134
30°	62	139	254	393	590	736	962	1217	1503	1818	2163	2945	3380	3846	4868	6008	7269	8652
40°	110	254	439	705	994	1320	1725	2183	2695	3261	3881	5282	6064	6899	8732	10780	13044	15524
50°	173	393	682	1098	1688	2238	2924	3699	4568	5527	6577	8953	10277	11692	14799	18269	22105	26308
60°	277	636	1098	1792	2682	3595	4696	5943	7338	8879	10566	14382	16510	18784	23773	29351	35514	42266
70°	462	1098	1792	2983	4370	5792	7565	9582	11820	14302	17021	23168	26595	30259	38297	47280	57208	68083
80°	717	1595	2786	4578	6763	10369	13542	17140	21160	25603	30471	41474	47610	54170	68558	84640	102414	121882
90°	821	1884	3283	5364	7954	12031	15713	19888	24553	29709	35356	48123	55243	62854	79550	98212	118835	141424

NOTE

1. Rated C_v = the volume of water in USgpm that will pass through a given valve opening at a pressure drop of 1 psi.

MAXIMUM ALLOWABLE SHAFT TORQUES (lbs)

Shaft material	Size NPS																	
	4	6	8	10	12	14	16	18	20	22	24	28	30	32	36	40	44	48
Stainless steel	1417	2833	4824	8586	8586	15578	17808	30730	34147	34147	58300	68019	72878	77728	141161	203178	264133	264133

NOTES

1. The given maximum allowable torques are applicable for standard type valves.
2. In ISO 5211 a table is listed representing the maximum torques which can be transmitted through the mounting flange. If the maximum transmittable torque is lower than the allowable shaft torque, please contact factory.

DYNAMIC TORQUE FACTORS F_T FOR IMPERIAL UNITS

Disc opening	Size NPS																	
	4	6	8	10	12	14	16	18	20	22	24	28	30	32	36	40	44	48
10°	1.6	3.7	8	17	24	-	-	-	-	-	-	-	-	-	-	-	-	-
20°	2.1	5.3	12	24	37	13	20	28	38	51	66	105	129	156	223	305	406	527
30°	2.9	8.0	18	37	58	39	59	84	115	153	198	314	386	469	668	915	731	1582
40°	3.9	12.0	29	57	93	76	114	161	222	295	382	607	746	906	1290	1770	2356	3058
50°	6.0	18.0	43	86	140	144	215	306	420	558	725	1152	1416	1718	2447	3356	4467	5800
60°	9.0	29.0	68	134	232	254	379	539	740	985	1278	2030	2497	3030	4315	5919	7879	10229
70°	15.0	46.0	107	214	372	447	668	951	1305	1736	2254	3579	4402	5343	7607	10435	13889	18032
80°	21.0	68.0	159	317	543	821	1227	1746	2395	3188	4139	6572	8084	9811	13969	19161	25504	33111

NOTES

1. Dynamic operating torque formula:
 $T_D = F_T \times \Delta P$
 T_D = Dynamic torque (in lbs)
 ΔP = Pressure drop across disc at desired disc-opening (psi)
 F_T = Dynamic torque factor (see table)
2. The above mentioned dynamic torque includes all frictional resistances.
3. The dynamic torque is tending to close the disc.

KEYSTONE FIGURE 55 DOUBLE FLANGED BUTTERFLY VALVE

VALVE DATA

SIZING TORQUES (Nm)

ΔP in bar	Size DN																	
	100	150	200	250	300	350	400	450	500	550	600	700	750	800	900	1000	1100	1200
I*																		
7	40	88	164	271	387	559	773	1032	1342	1623	2128	3164	3786	4482	5672	7551	9382	11662
10	44	99	188	315	451	660	923	1247	1636	1979	2637	3972	4779	5688	7198	9670	12110	15053
14	49	113	219	374	536	795	1124	1533	2029	2454	3315	5049	6104	7296	9233	12496	15748	19575
16	51	120	235	403	578	862	1225	1676	2225	2691	3654	5587	6766	8100	10250	13909	17566	21835
II*																		
7	45	100	185	303	434	623	856	1138	1472	1780	2315	3419	4078	4815	6093	8071	9984	12411
10	49	111	208	347	498	724	1007	1352	1766	2136	2824	4226	5072	6021	7619	10190	12712	15802
14	54	125	240	406	583	858	1208	1638	2159	2611	3502	5303	6396	7629	9654	13016	16349	20323
16	56	132	255	435	625	926	1308	1781	2355	2849	3841	5842	7059	8433	10671	14429	18168	22584
III*																		
7	50	112	206	336	481	686	939	1243	1602	1937	2502	3673	4371	5148	6514	8591	10586	13159
10	54	122	229	380	545	787	1090	1457	1896	2293	3011	4481	5364	6354	8040	10710	13315	16551
14	59	136	261	439	629	922	1291	1774	2289	2768	3689	5558	6689	7961	10075	13536	16952	21072
16	61	143	276	468	672	989	1391	1887	2485	3006	4028	6097	7351	8765	11092	14949	18771	23333

SIZING TORQUES (lbs)

ΔP in psi	Size NPS																	
	4	6	8	10	12	14	16	18	20	22	24	28	30	32	36	40	44	48
I*																		
100	355	779	1452	2399	3426	4948	6842	9134	11878	14365	18835	28004	33509	39670	50202	66833	83038	103218
145	390	877	1664	2788	3992	5842	8170	11037	14480	17516	23340	35156	42298	50344	63708	85587	107183	133231
200	434	1001	1939	3311	4745	7037	9949	13569	17959	21720	29341	44688	54025	64576	81719	110599	139382	173254
230	452	1063	2080	3567	5116	7630	10843	14834	19693	23818	32341	49450	59885	71692	90721	123106	155473	193257
II*																		
100	399	886	1638	2682	3842	5515	7577	10073	13029	15755	20490	30261	36094	42617	53928	71435	88366	109847
145	434	983	1841	3072	4408	6408	8913	11967	15631	18906	24995	37404	44892	53291	67434	90190	112511	139860
200	478	1107	2125	3594	5160	7594	10692	14498	19109	23110	30996	46936	56610	67523	85446	115202	144701	179874
230	496	1169	2257	3851	5532	8196	11577	15764	20844	25216	33996	51707	62478	74639	94447	127708	160801	199886
III*																		
100	443	992	1824	2974	4258	6072	8311	11002	14179	17144	22145	32509	38687	45564	57654	76037	93695	116468
145	478	1080	2027	3364	4824	6966	9648	12896	16782	20295	26650	39661	47476	56238	71161	94792	117848	146489
200	523	1204	2311	3886	5568	8161	11427	15702	20260	24499	32651	49193	59203	70461	89172	119804	150038	186504
230	540	1266	2443	4143	5948	8754	12312	16702	21995	26606	35651	53964	65062	77577	98173	132310	166138	206515

* Application I, II, III

NOTES

1. Application I :

Water, seawater, lubricating types of hydrocarbons. Temp.: 0-80°C (32-176°F);
Valve opens at least once a month.

Application II :

All other liquid applications and lubricating gasses.

Application III :

Non lubricating and dry media.

- The charted maximum sizing operating torque is the sum of all friction and resistance for opening and closing of the disc against the indicated pressure differential.
- The effect of dynamic torque is not considered in tabulation.
- In sizing operators it is not necessary to include safety-factors.
- In ISO 5211 a table is listed representing the maximum torques which can be transmitted through the mounting flange. If the maximum transmittable torque is lower than the sizing torque, please contact factory.

PRESSURE-TEMPERATURE DIAGRAM

Seat material	Disc material	Body material	Size range DN (NPS)	Valve function Wafer/ End of Line	Temperature in °C (°F)				
					-10 (14)	-5 (23)	0 (32)	50 (122)	100 (212)
EPDM and EPDM WA3	all	DI	all	W / EOL	16 bar / 16 bar (232 psi / 232 psi)				
NBR	all	DI	all	W / EOL	16 bar / 16 bar (232 psi / 232 psi)				

KEYSTONE FIGURE 55 DOUBLE FLANGED BUTTERFLY VALVE

MATERIAL SELECTION/MATERIAL SPECIFICATION

MATERIAL SELECTION

Body	Disc	Seat	Shaft	Trim no.
Ductile iron	Ductile iron	EPDM	Stainless steel	288
		NBR	Stainless steel	289
Ductile iron	Ductile iron coated	EPDM	Stainless steel	648
		NBR	Stainless steel	673
Ductile iron	NiAlBz	EPDM	Stainless steel	135
		NBR	Stainless steel	137
		EPDM-WA3	Stainless steel	774
Ductile iron	Stainless steel	EPDM	Stainless steel	112
		NBR	Stainless steel	116
		EPDM-WA3	Stainless steel	884

MATERIAL SPECIFICATION

Part name	Material	Designation	EN/DIN mat. no.	Remark
Body	Ductile iron	GJS-400-15	EN JS-1030	Consult factory for temperature below -10°C (14°F)
Disc	Ductile iron	GJS-400-15	EN JS-1030	
	Ductile iron	CTD GJS-400-15	EN JS-1030	CTD = Epoxy coated
	NiAlBz	CuAl10Fe5Ni5	EN CC333G	Comparable with BS 1400 AB2
	Stainless steel	GX5CrNiMo19-11-2	EN 1.4408	
Seat	Uranus (B6)	G-X2NiCrMoCuN25-20	DIN 1.4536	Casting quality (SEW 410) of 1.4539
	EPDM			Compound number MS 512 FDA approved
	NBR			Compound number MS 511 FDA approved
Shaft	Stainless steel	EPDM-WA3		Compound number MS 539 KIWA/KTW approved
		X5CrNiMo17-12-2	EN 1.4401	Sizes DN 100 - 300 (NPS 4 - 12)
		X17CrNi16-2	EN 1.4057	Sizes DN 350 - 1200 (NPS 14 - 48)
Disc screw	Stainless steel	X5CrNiMo17-12-2	EN 1.4401	Sizes DN 100 - 300 (NPS 4 - 12)
		X2CrNiMoN22-5-3	EN 1.4462	Sizes DN 350 - 1200 (NPS 14 - 48)
Disc screw O-ring	NBR			
Bushing	Polyacetal			
Plug	Carbon steel	C45-QT	EN 1.0503 QT	
Plug O-ring	NBR			
Circlip	Springsteel			According DIN 472
Dirt scraper	NBR steel			
Key	Steel			According DIN 6885 Sizes DN 350 - 1200 (NPS 14 - 48)

VCTDS-00031-EN © 2008, 2021 Emerson Electric Co. All rights reserved 07/21. Keystone is a mark owned by one of the companies in the Emerson Automation Solutions business unit of Emerson Electric Co. The Emerson logo is a trademark and service mark of Emerson Electric Co. All other marks are the property of their prospective owners.

The contents of this publication are presented for informational purposes only, and while every effort has been made to ensure their accuracy, they are not to be construed as warranties or guarantees, express or implied, regarding the products or services described herein or their use or applicability. All sales are governed by our terms and conditions, which are available upon request. We reserve the right to modify or improve the designs or specifications of such products at any time without notice.

Emerson Electric Co. does not assume responsibility for the selection, use or maintenance of any product. Responsibility for proper selection, use and maintenance of any Emerson Electric Co. product remains solely with the purchaser.

Emerson.com/FinalControl