

EX90-SERIES

ELECTROMAGNETIC INSERTION FLOW SENSOR



Saddle or Weld Fitting

APPLICATIONS

Municipal water
Water/Wastewater
treatment
Reuse/Reclaim water
Industrial processes
Cooling towers
Pump towers
Dewatering

Features

- No moving parts
- Economical
- Durable
- Easy to install
- Easy to maintain
- Pulse output standard
- 4 year battery life
- NSF/ANSI Standard 61

The **EX90-series** battery powered, insertion electromagnetic flow meter is designed for use with conductive fluids in 4"–12" pipe. The EX90's stainless steel body allows the meter to operate in a wide range of temperatures, pressure, and corrosive or dirty environments.

The EX90 is highly suitable for difficult applications. With no moving parts, these meters can be used in "dirty water" applications where debris would foul a mechanical meter. If the EX90 meter is used with a programmable controller, the output signal can be fed direct, with no other conditioning required.

Rate and total units can be set via the front panel touch key pad by the user. Bidirectional flow is standard with totals available in forward, reverse, net, batch forward and batch reverse.

The EX90 is battery powered with an output cable available for transmitting the pulse signal to remote devices. The EX90 can be ordered with a saddle or weld fitting designed to accommodate a wide range of pipe sizes and types while ensuring correct placement in the pipe. In addition, an optional internal data logger allows local storage of flow history.

The EX90 is also ideal for replacement of mechanical style propeller meters.

Contact Your Supplier



Specifications*

Pipe Size	4" to 12"				
Materials	Sensor Body	316 SS			
	Electrodes	Hastelloy			
	Housing	Powder-coated diecast aluminum			
	Electrode Cap	PVDF (Kynar®)			
	O-Ring	EPDM			
Temperature	Operating	10° to 140° F (-12° to 60° C)			
	Storage	-40° to 158° F (-40° to 70° C)			
	Fluid Temp.	32° to 200° F (0° to 93° C)			
Pressure	200 psi (14 bar)				
Flow Rate	0.5 - 4.5 m/sec (1.64 - 14.8 ft/sec) (Low flow cutoff .15 m/sec; .49 ft/sec)				
Calibration Accuracy	0.5 - 4.5 m/s (1.64-14.76 ft/sec)	+/- 2% of reading			
	0.3 - 0.5 m/sec (0.98 - 1.64 ft/sec)	+/- (2% of reading + 0.25% of full scale)			
Display	Type	128x64 dot-matrix LCD			
	Digits	5 Digit Rate	8 Digit Total		
	Units	Rate Volume Units	Rate Time Units	Total Volume Units	
		Gallons Liters Barrels (42 gallons) Cubic Feet Cubic Meters Million Gallons ¹ Mega Liters ¹ Imperial Gallons Million Imperial Gallons ¹	Second Minute Hour Day	Gallons Gallons x 10 Gallons x 100 Gallons x 1000 Million Gallons Liters Kilo Liters Mega Liters Barrels (42 gallons) Cubic Meters	Cubic Meters x 1000 Cubic Feet Cubic Feet x 1000 Million Cubic Feet Imperial Gallons Imperial Gallons x 1000 Acre Inch Acre Foot Fluid Ounce
	<i>Please Note: All meters are factory set for gallons per minute (GPM) rate and acre foot total. If other units are required, they can be set in the field.</i>				
Bidirectional	Forward Total, Reverse Total, Net Total, Batch Forward, Batch Reverse ²				
Power	One lithium 7.2V 'D' size battery pack, replaceable.				
Scaled Pulse Output	Signal	Current sinking pulse, isolated, 36 Vdc at 10 mA max			
	Pulse Rates	User-scalable from 0.1 to 99,999.9 volume units/pulse. Pulse width varies with output frequency, 150 pulses/sec max			
Cable	Optional Output Cable	20ft (6m) standard length polyurethane jacketed cable—for power and outputs. (Lengths up to 200' (60 m) available.)			
Conductivity	>20 microSiemens/cm				
Empty Pipe Detection	Hardware/software, conductivity-based				
Regulatory	Certified to NSF/ANSI standard 61 and NSF 372 (Stainless only with EPDM O-ring. Viton pending).				
Environmental	IP67				

* Specifications subject to change. Please consult our website for the most current data (seametrics.com).

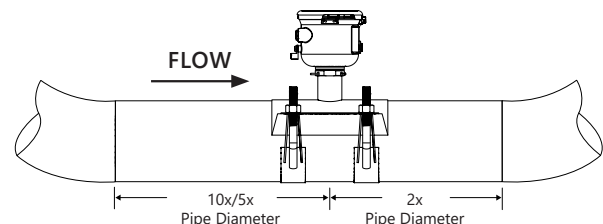
¹ Rate Time Unit is available in Day only.

² Forward and reverse flow totals are non-resettable. Batch forward and batch reverse totals can be reset.

Kynar is a registered trademark of Arkema, Inc.

Flow Range*

Nominal Pipe Size	4"	6"	8"	10"	12"
Low Flow Cutoff GPM	19.3	43.11	77.1	120.5	173.5
Low Flow Cutoff LPS	1.22	2.72	4.86	7.6	10.95
Min GPM	64.3	144.6	257	401.6	578.3
Min LPS	4.1	9.1	16.2	25.3	36.5
Max GPM	578	1301	2313	3614	5204
Max LPS	36.5	82.1	145.9	228	328.3

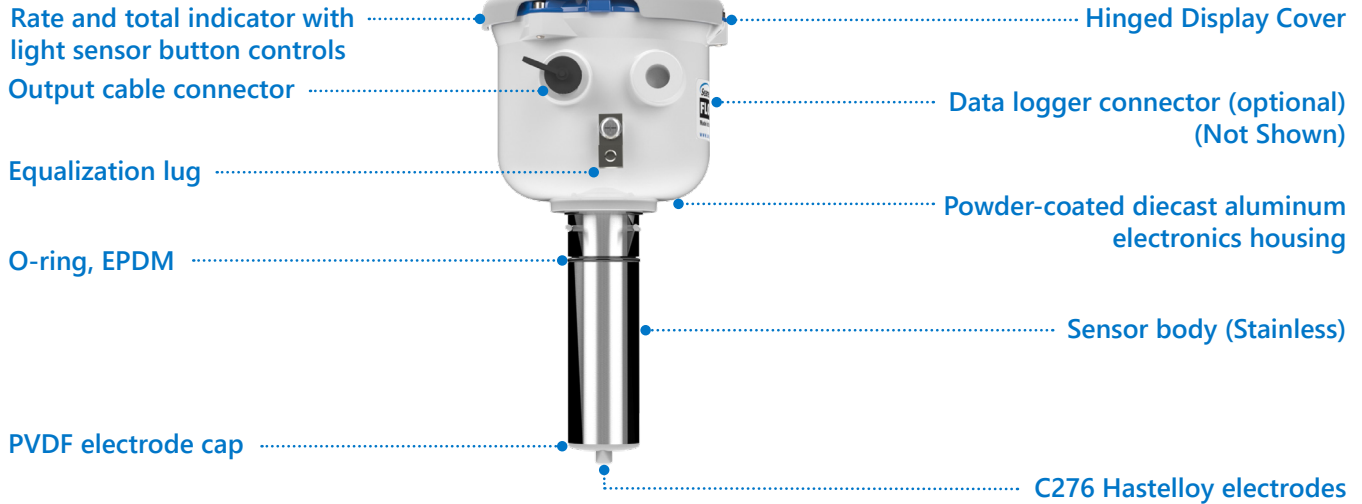


Upstream straight pipe is selected during initial setup. Upstream options are 5X or 10X the diameter and are based on the amount of straight pipe available in either new or propeller meter replacement installation. Downstream straight pipe requirement is 2X the diameter. See programming setup for details.

EX90-SERIES
ELECTROMAGNETIC INSERTION
FLOW SENSOR



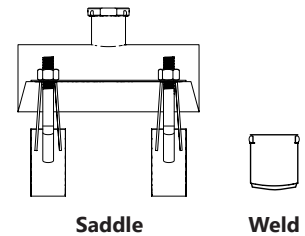
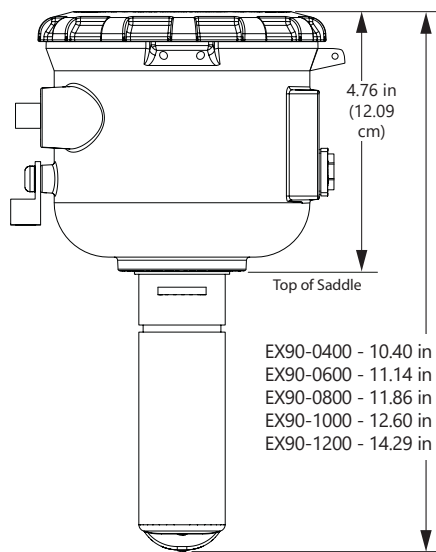
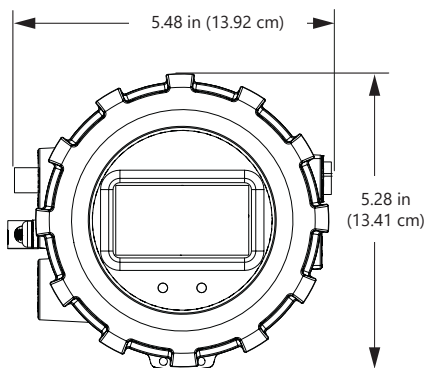
Features



- Battery Powered
- Bidirectional Flow Reading
- Pulse Scaled Output
- Built-in Data Logger (Optional)

Quickly and easily change Total Volume Units, Flow Rate Units, Pulse Output Scaling, and many other settings using the two light sensor button controls on the display panel.

Dimensions



Saddle Size	Saddle Range	Carbon or 316 SS Weld Fitting
4"	4.00" - 4.90"	4"
6"	6.00" - 6.90"	6"
8"	8.00" - 9.05"	8"
10"	10.00" - 11.10"	10"
12"	12.10" - 13.20"	12"

Consult factory if your OD does not match.

