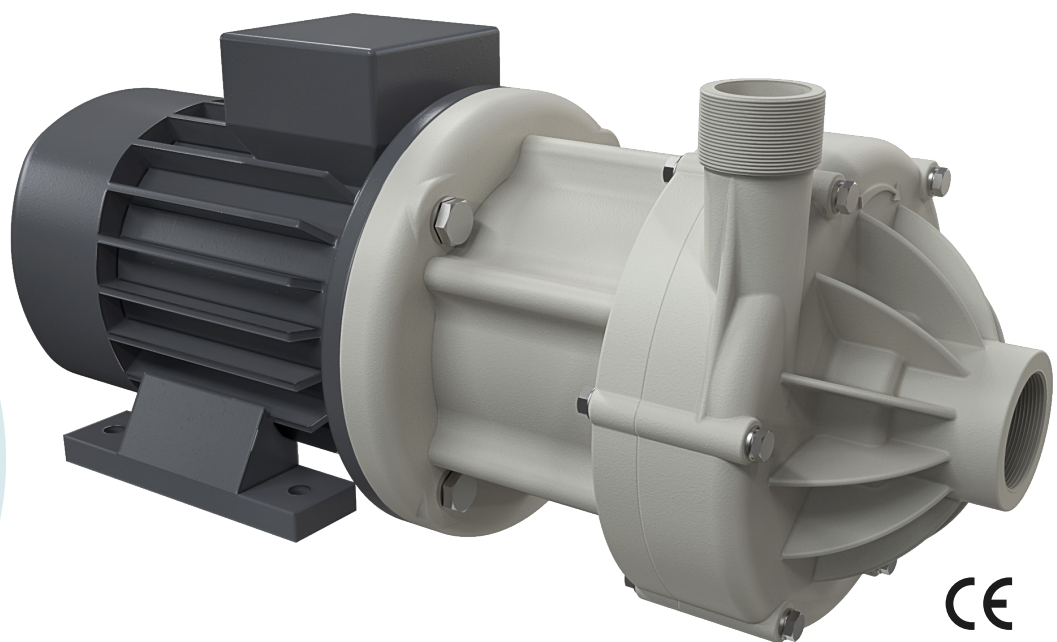


# DM 15

## MAGNETIC DRIVE CENTRIFUGAL PUMPS



- Product designed and constructed in Italy
- Constructed in Polypropylene or PVDF
- Under head use
- Extremely easy to operate and maintain
- Suitable for continuous use



## DM PUMPS CODES ENCODING

e.g. DM10P-SD1BE071

DM10 PP, standard thrust bearing, O-Ring EPDM, impeller Ø 98 mm, BSPP fitting, MEC motor flange, 071 casing.

DM10	P	S	D	1	B	E	071	T
PUMP MODEL	PUMP BODY	THRUST BEARING	O-RING	IMPELLER	FITTING	MOTOR FLANGE	CASING	MOTOR
DM06 DM10 DM15 DM30	P - Polypropylene FC - PVDF+CF	S - Standard (ceramic + PTFE Graphite)	D - EPDM V - Viton®	DM06 1=Ø 81 mm 2=Ø 70 mm 3=Ø 65 mm DM10 1=Ø 98 mm 2=Ø 85 mm 3=Ø 70 mm DM15 1=Ø 123 mm 2=Ø 108 mm 3=Ø 90 mm DM30 1=Ø 134 mm 2=Ø 122 mm 3=Ø 110 mm	N - NPT B - BSPP	E - MEC U - NEMA*	DM06 063 071 DM10 071 080 DM15 090 DM30 090 100 112	M - Single-phase** T - Three-phase A - ATEX** S - Without Motor

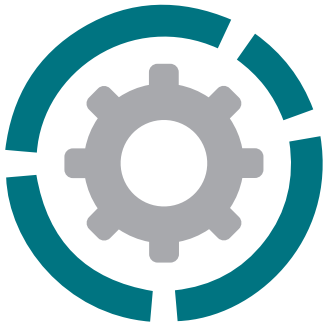
\* Only pump available, with American flange, for coupling with NEMA motor  
\*\*On request

# DM 15

MAGNETIC DRIVE CENTRIFUGAL PUMPS

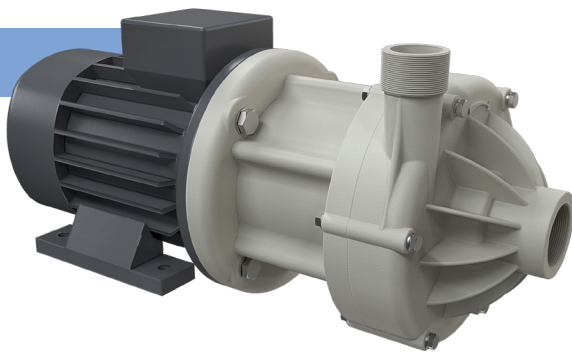


## Specifications and types



Suction fittings	1"1/2 f BSPP or DN 40 - NPT
Delivery fittings	1"1/4 m BSPP or DN 32 - NPT
Max flow rate	23,5 m3/h
Min flow rate	2 m3/h
Max head	20 m
Viscosity up to	150 cps

PP



Standard electric motor:

**Kw 1,5 HP 2**

Casing B3+B5

RPM 2900

Three-phase 230/400 V - 50/60 HZ

2 Poles IE3 Protection IP55

Ambient temperature -30°C + 45°C

**Kw 2,2 HP 3**

Casing B3+B5

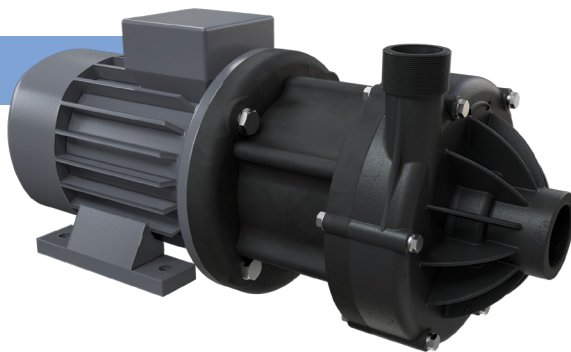
RPM 2900

Three-phase 230/400 V - 50/60 HZ

2 Poles IE3 Protection IP55

Ambient temperature -30°C + 45°C

PVDF



**Kw 1,5 HP 2**

Casing B3+B5

RPM 2900

Single-phase

Ambient temperature -30°C + 45°C

**Kw 2,2 HP 3**

Casing B3+B5

RPM 2900

Single-phase

Ambient temperature -30°C + 45°C

IMPELLER	Motor 1,5 Kw (2 HP)	Motor 2,2 Kw (3 HP)
Ø 123 mm (Standard)	up to 1,1 g/cm <sup>3</sup>	up to 1,8 g/cm <sup>3</sup>
Ø 108 mm	up to 1,6 g/cm <sup>3</sup>	up to 2 g/cm <sup>3</sup>
Ø 90 mm	up to 2 g/cm <sup>3</sup>	up to 2 g/cm <sup>3</sup>

Operating temperatures and weights:

PP from -20°C to + 100°C, 2,2 Kg\*

PVDF from -20°C to + 100°C, 2,5 Kg\*

\*The weights refer to the pump without the motor

Electric motors available on request:

SINGLE-PHASE

ATEX

NEMA 56C\*/NEMA 145 TR

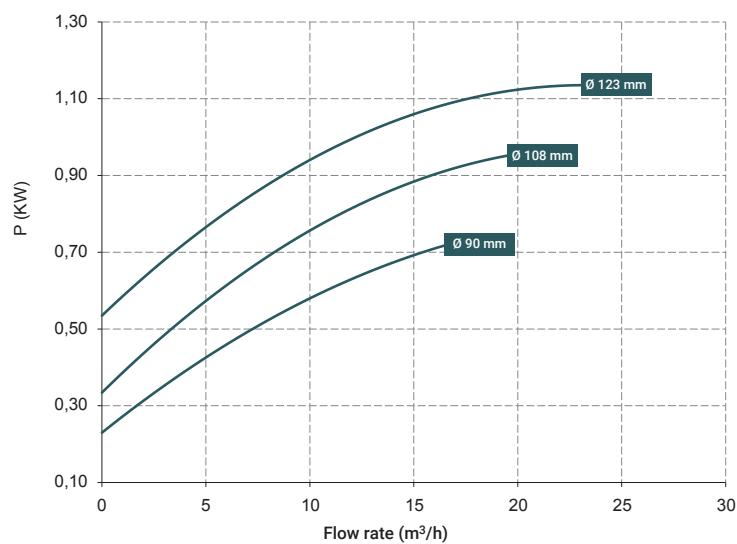
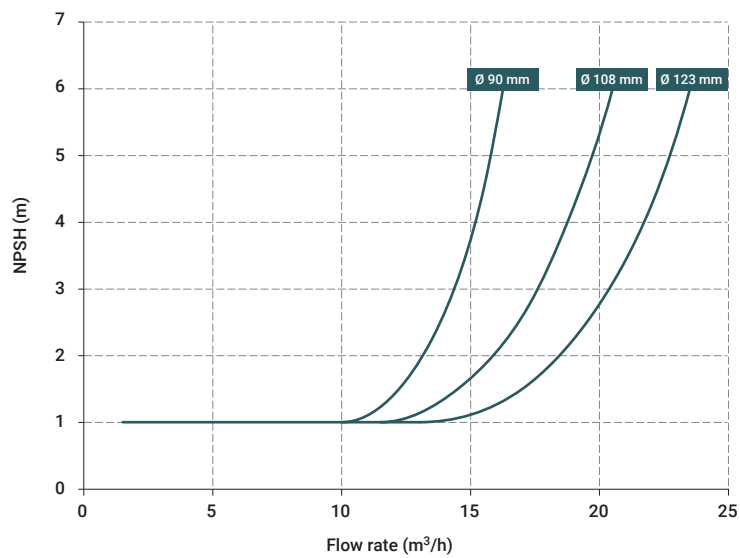
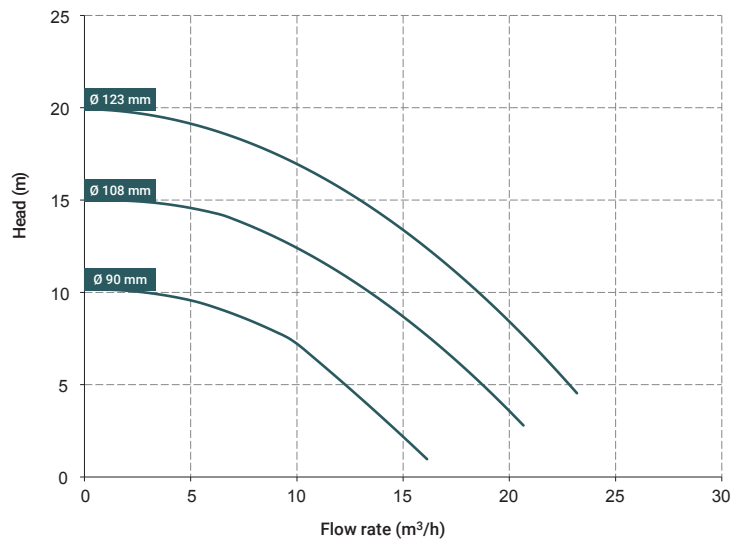
\*(Only pump available, with American flange, for coupling with NEMA motor - the motor is not included in our standard)

# DM 15

## MAGNETIC DRIVE CENTRIFUGAL PUMPS



### Specifications and types



The curves and performances refer to tested pumps, with water at 20 °C, two-pole motor 50 Hz (2900rpm).

# DM 15

## MAGNETIC DRIVE CENTRIFUGAL PUMPS



### Specifications and types

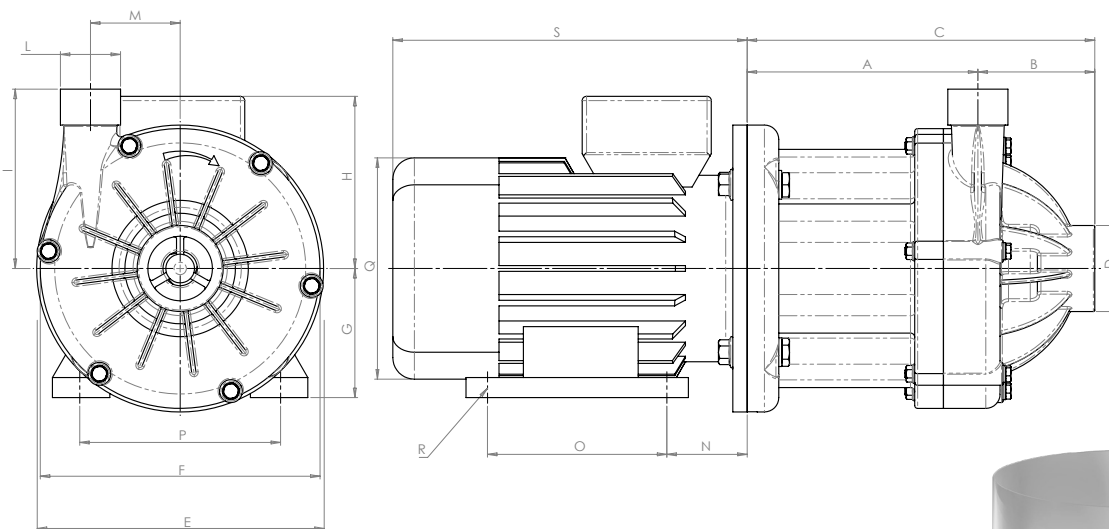
Length measurements in mm

MODEL	CASE	POWER	A	B	C	D	E*	F*	G*	H*	I	L	M	N*	O*	P*	Q*	R*	S*
DM15	IEC 90	1,5 Kw	160,8	81,5	242,3	1"1/2 f(**)	200	195	90	138	125	1"1/4 m(**)	62,5	56	100	140	167	10	250
DM15	IEC 90	2,2 Kw	160,8	81,5	242,3	1"1/2 f(**)	200	195	90	138	125	1"1/4 m(**)	62,5	56	125	140	167	10	275
DM15	NEMA 145TC***	3 Hp	160,8	81,5	242,3	1"1/2 f(**)	-	195	-	-	125	1"1/4 m(**)	62,5	-	-	-	-	-	-

\* Measurements may vary depending on the motor supplier.

\*\* NPT or BSPP gas

\*\*\*Warning: if you decide to combine the pump with a NEMA motor, the pump is delivered with a suitable coupling flange, but not the NEMA motor, which is not included in our standard supply.



#### Sealing O-ring materials:

- EPDM
- VITON®

#### Packaging:

- Pump with 1,5 Kw motor
- Wooden case size 58 x 28 x 42 cm - Weight 10 Kg  
(the weight refers only to the packaging without the pump inside)
- Pump with 2,2 Kw motor
- Wooden case size 64 x 28 x 42 cm - Weight 10 Kg  
(the weight refers only to the packaging without the pump inside)

#### Accessories:

- Flange kit (DIN flanges - ANSI on request)



UNDER HEAD USE

### MAIN APPLICATION SECTORS



AUTOMOTIVE



CHEMICAL INDUSTRY



GALVANIC AND ELECTRONIC INDUSTRY



WATER AND SLUDGE TREATMENT

● DM06 ● DM10 ● DM15 ● DM30