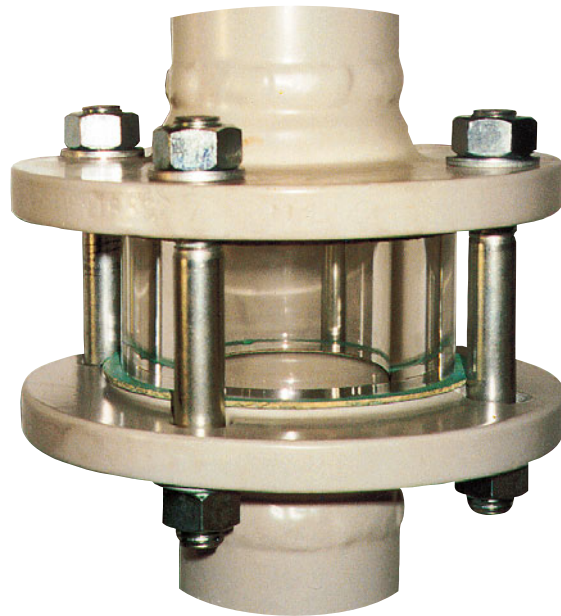


# DG04

## Flow sight glass for installation between two flanges

- **Easy installation between two DIN or ANSI flanges**
- **Economical acrylic cylinder**
- **Available in borosilicate glass for caustic/corrosive liquids**
- **Insensitive to contamination**
- **Maximum rated pressure of 232 psi / 16 bar**
- **For liquid temperatures up to 572 °F / 300 °C**



### Description:

Model series DG04 sight glasses are distinguished by their rugged construction and wide range of applications. They feature 0.94", 1.18", or 1.97" / 24, 30, or 50 mm long transparent cylinders made of acrylic, soda-lime or borosilicate glass with very high wall thickness. These cylinders are intended to be clamped between two existing flanges. Their dimensions match those of the sealing face on the raised area of the flange. This sizing makes support from a separate metal housing unnecessary. In addition, this design allows the flow to be viewed and monitored from any direc-


tion. The flange bolts also offer additional protection against mechanical damage.

The borosilicate glass version can be installed in devices used with very caustic/corrosive liquids. They are insensitive to contamination because the inner surface is constantly being rinsed by the flowing liquid. In particular, the larger nominal sizes are very cost effective solutions since they only require the transparent cylinder and no metal housing with flanges.

In North & South America Find Our Products On-Line at Clark Solutions:  
[www.clarksol.com](http://www.clarksol.com)



 **PKP Process Instruments Inc.**  
10 Brent Drive · Hudson, MA 01749  
☎ +1-978-212-0006 · 📠 +1-978-568-0060  
Email: [info@pkp.eu](mailto:info@pkp.eu) · Internet: [www.pkp.eu](http://www.pkp.eu)

 **PKP Prozessmesstechnik GmbH**  
Borsigstraße 24 · D-65205 Wiesbaden  
☎ +49 (0) 6122-7055-0 · 📠 +49 (0) 6122-7055-50  
Email: [info@pkp.de](mailto:info@pkp.de) · Internet: [www.pkp.de](http://www.pkp.de)

## Designs:

- DG04.A:**
- Material: acrylic
  - Max. temperature 176 °F / 80 °C
  - Economical design
- DG04.N:**
- Material: soda-lime glass
  - Max. temperature 300 °F / 150 °C
  - High resistance to chemicals
- DG04.B:**
- Material: borosilicate
  - Max. temperature 572 °F / 300 °C
  - For caustic/corrosive liquids and high temperatures

## Dimensions:

Nominal size	DG04 for DIN flanges Diameter (inch / mm)		DG04 for ANSI flanges Diameter (mm)		Permitted process pressure
	Outside	Inside	Outside	Inside	
<b>Sight-glass length:</b>					
<b>DG04.A... / DG04.B...: 1.18" / 30 mm    DG04.N...: 0.94" / 24 mm</b>					
3/8" / DN 10	1.57 / 40	0.55 / 14	–	–	232 / 16
1/2" / DN 15	1.77 / 45	0.71 / 18	1.38 / 35	0.63 / 16	232 / 16
3/4" / DN 20	2.28 / 58	0.91 / 23	1.69 / 42	0.83 / 21	232 / 16
1" / DN 25	2.68 / 68	1.14 / 29	1.97 / 50	1.06 / 27	232 / 16
<b>Sight-glass length:</b>					
<b>DG04.A... / DG04.B...: 1.97" / 50 mm    DG04.N...: 0.94" / 24 mm</b>					
1 1/4" / DN 32	3.11 / 79	1.50 / 38	2.48 / 63	1.38 / 35	232 / 16
1 1/2" / DN 40	3.47 / 88	1.73 / 44	2.87 / 73	1.61 / 41	232 / 16
2" / DN 50	4.02 / 102	2.17 / 55	3.62 / 92	2.09 / 53	232 / 16
2 1/2" / DN 65	4.80 / 122	2.80 / 71	4.13 / 105	2.48 / 63	232 / 16
3" / DN 80	5.43 / 138	3.27 / 83	5.00 / 127	3.07 / 78	232 / 16
4" / DN 100	6.22 / 158	4.25 / 108	6.18 / 157	4.02 / 102	232 / 16
5" / DN 125	7.40 / 188	5.20 / 132	7.32 / 186	5.04 / 128	232 / 16
6" / DN 150	8.35 / 212	6.30 / 160	8.50 / 216	6.06 / 154	232 / 16
8" / DN 200	10.55 / 268	8.19 / 208	10.63 / 270	8.00 / 203	145 / 10
10" / DN 250	12.60 / 320	10.28 / 261	12.75 / 324	10.04 / 255	145 / 10
12" / DN 300	14.57 / 370	12.20 / 310	15.00 / 381	12.00 / 305	145 / 10

The pressure values apply to borosilicate glass exposed to liquid temperatures up to 150°C. If higher liquid temperatures are anticipated in the application, please consult us first.

## Model coding:

Order number: **DG04.A.D.025.0**

Flow sight glass for installation between two flanges

### Design:

A = Acrylic  
N = Soda-lime glass  
B = Borosilicate glass

### Connection:

D = for flange PN 10/16 as per DIN 2501  
A = for ANSI flange, RF, 150 lbs  
S = for special flanges

### Nominal size:

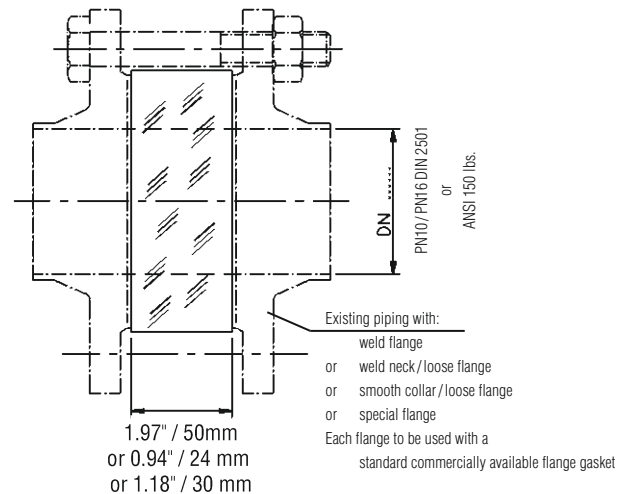
010...300 = Nominal size as per "Dimensions" table

### Special versions:

0 = None  
1 = Please specify in writing

## Assembly

### Design DG04.A, N or B



In North & South America Find Our  
Products On-Line at Clark Solutions:  
[www.clarksol.com](http://www.clarksol.com)

PKP Prozessmesstechnik GmbH

Borsigstraße 24 · D-65205 Wiesbaden

+49 (0) 6122-7055-0 · +49 (0) 6122-7055-50  
Email: [info@pkp.de](mailto:info@pkp.de) · Internet: [www.pkp.de](http://www.pkp.de)

PKP Process Instruments Inc.

10 Brent Drive · Hudson, MA 01749

+1-978-212-0006 · +1-978-568-0060  
Email: [info@pkp.eu](mailto:info@pkp.eu) · Internet: [www.pkp.eu](http://www.pkp.eu)

