

# PHOTOELECTRIC ROTARY ENCODER

# A28

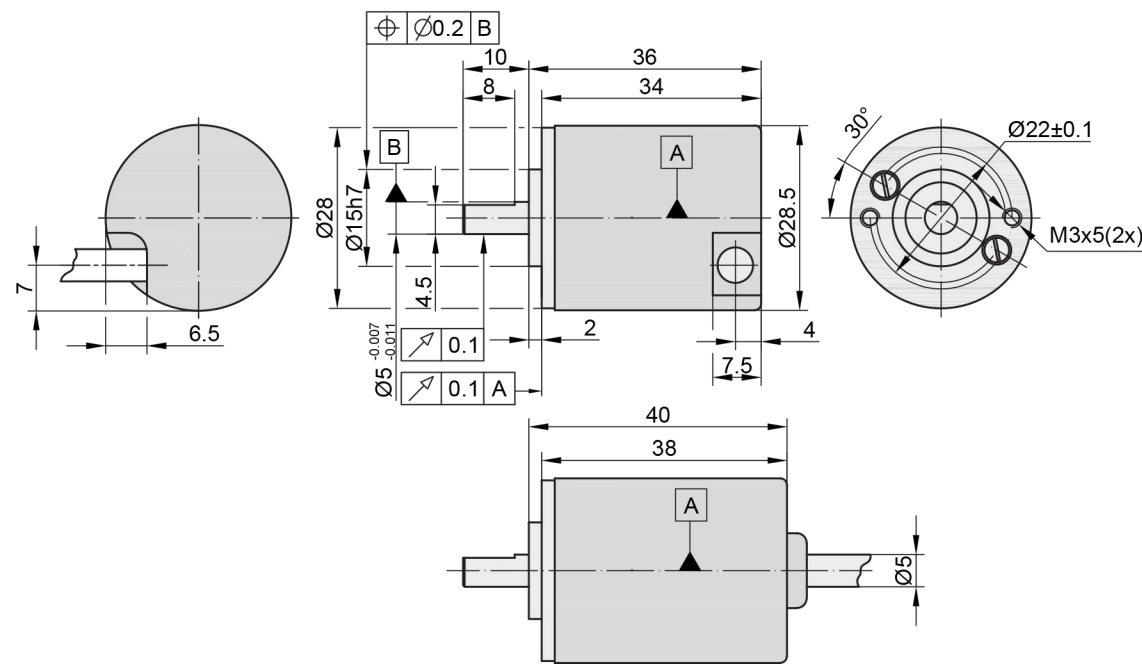


Small size



Photoelectric rotary encoder **A28** is a small 28mm diameter incremental encoder that can have up to 25.000 output pulses per revolution.

Small size is its primary feature that enables the customer to fit it in tight places without any hassle.



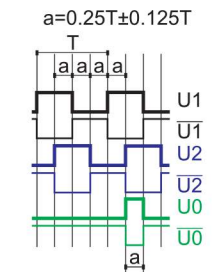
## MECHANICAL DATA

Line number on disc (z)	60; 100; 200; 250; 360; 500; 1000; 1024; 1500; 2000; 2500	Protection (IEC 529) - for axial cable outlet - for radial cable outlet	IP54 IP64
Number of output pulses per revolution	Z x k, where k=1,2,3,4,5,8,10	Maximum weight without cable	0.045 kg
Maximum shaft speed	6000 rpm	Operating temperature	-10...+70 °C
Maximum shaft load: - axial - radial (at shaft end)	5N 10N	Storage temperature	-30...+80 °C
Accuracy (T <sub>1</sub> -period of lines on disc in arc. sec)	±0.1T <sub>1</sub> arc. sec	Maximum humidity (non-condensing)	98 %
Starting torque at 20°C	≤ 0.015 Nm	Permissible vibration (55 to 2000 Hz)	≤ 100 m/s <sup>2</sup>
Rotor moment of inertia	< 2 gcm <sup>2</sup>	Permissible shock (11 ms)	≤ 300 m/s <sup>2</sup>

## ELECTRICAL DATA

VERSION	A28-F TTL
Supply voltage	+5 V ± 5%
Max. supply current (without load)	120 mA
Light source	LED
Incremental signals	Differential square - wave U1/U1 and U2/U2. Signal levels at 20 mA load current: - low (logic "0") ≤ 0.5 V - high (logic "1") ≥ 2.4 V
Reference signal	One differential square-wave U0/U0 per revolution. Signal levels at 20 mA load current : - low (logic "0") ≤ 0.5 V - high (logic "1") ≥ 2.4 V

Maximum operating frequency	(160 x k) kHz, k-interpolation factor
Direction of signals	U2 lags U1 for clockwise rotation (viewed from shaft side)
Maximum rise and fall time	< 0.5 μs
Standard cable length	0.5 m; without connector
Maximum cable length	25 m
Output signals	



## ACCESSORIES

CONNECTORS FOR CABLE	B12 12-pin round connector	C12 12-pin round connector	D9 9-pin flat connector	D15 15-pin flat connector	RS10 10-pin round connector	ONC 10-pin round connector
DIGITAL READOUT DEVICES	CS3000			CS5500		
COUPLING	SC30					

Notes:

- Maximum working rotation speed (with proper encoder counting) is limited by maximum operating frequency and maximum mechanical rotation speed.
- If cable extension is used, power supply conductor cross-section should not be smaller than 0.5 mm<sup>2</sup>.

## ORDER FORM

A28	-	F	-	X1/X2	-	X3/X4
Pulse number Per revolution (X1):	(Optional) line number on disc (z) (X2):	Cable length and outlet (X3):	Connector type (X4):			
60 ... 25000	60 ... 2500	R01 - 1m (R-radial outlet) R02 - 2m ... A01 - 1m (A-axial outlet) A02 - 2m ...	W - without connector B12 - round, 12 pins C12 - round, 12 pins D9 - flat, 9 pins D15 - flat, 15 pins RS10 - round, 10 pins ONC - round, 10 pins			
ORDER EXAMPLES: 1) A28-F-2500-R01/W 2) A28-F-2500/250-R01/W						